

SS10A STAINLESS STEEL ADJUSTABLE AIRMOVER



Material: Stainless Steel (Grade 304).

Weight: 0.27Kg

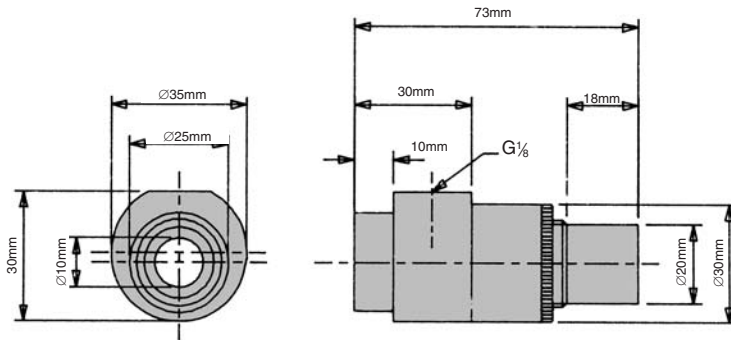
Standard Gap: Adjustable

dB(A) at: 5.5 bar is 72

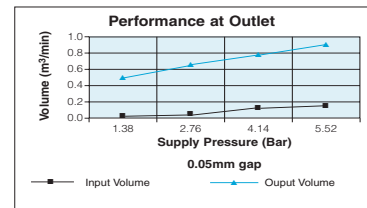
Shims: Not Applicable

Standard Inlet Thread: G $\frac{1}{8}$

Options: $\frac{11}{8}$ NPT
Please specify on order $\frac{11}{8}$ NPTF



Bar	Vol in m ³ /min	Vol out m ³ /min
1.38	0.048	0.490
2.76	0.065	0.660
4.14	0.125	0.733
5.52	0.164	0.886



PERFORMANCE DATA – DUCTED

METRIC	Back Pressure (mm water gauge) and guide to equivalent pipe length										
	125mm water gauge		250mm water gauge		375mm water gauge		500mm water gauge		625mm water gauge		
Supply Pressure kg/cm ²	Vi m ³ /min	Vc m ³ /min	Equiv. Pipe length m	Vo m ³ /min	Equiv. Pipe length m	Vo m ³ /min	Equiv. Pipe length m	Vo m ³ /min	Equiv. Pipe length m	Vo m ³ /min	Equiv. Pipe length m
2	.060	.26	7	.13	50	9	37	.33	15	.13	-
3	.070	.47	2	.31	9	20	37	.51	6	.37	14
4	.115	.64	1	.51	3	36	10	.54	4	.58	6
5	.150	.76	1	.65	2	54	4	.64	4		
6	.180	.87	0.5	.78	2	72	3				

SS20A STAINLESS STEEL ADJUSTABLE AIRMOVER



Material: Stainless Steel (Grade 304).

Weight: 0.39Kg

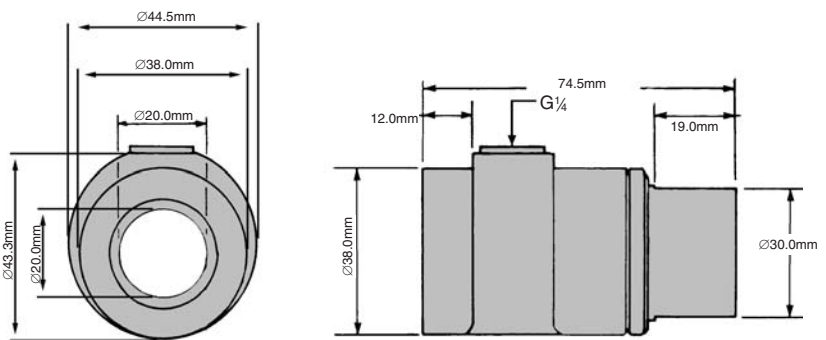
Standard Gap: Adjustable

dB(A) at: 5.5 bar is 78

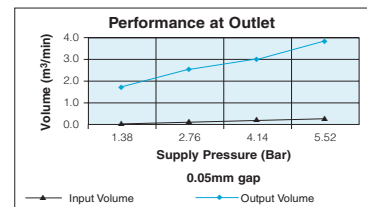
Shims: Not Applicable

Standard Inlet Thread: G $\frac{1}{4}$

Options: $\frac{11}{4}$ NPT
Please specify on order $\frac{11}{4}$ NPTF



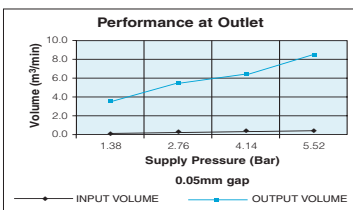
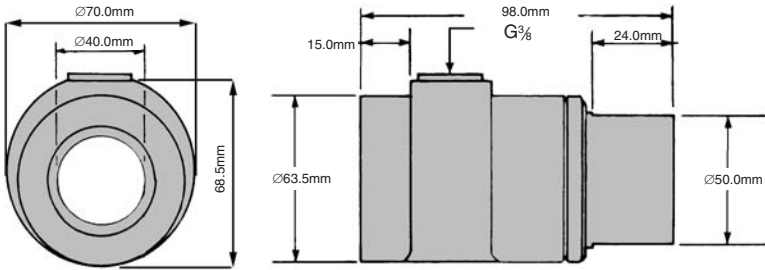
Bar	Vol in m ³ /min	Vol out m ³ /min
1.38	0.105	1.614
2.76	0.164	2.492
4.14	0.224	3.030
5.52	0.286	3.681



PERFORMANCE DATA – DUCTED

METRIC	Back Pressure (mm water gauge) and guide to equivalent pipe length										
	50mm water gauge		100mm water gauge		150mm water gauge		200mm water gauge		250mm water gauge		
Supply Pressure kg/cm ²	Vi m ³ /min	Vc m ³ /min	Equiv. Pipe length m	Vo m ³ /min	Equiv. Pipe length m	Vo m ³ /min	Equiv. Pipe length m	Vo m ³ /min	Equiv. Pipe length m	Vo m ³ /min	Equiv. Pipe length m
2	.125	.91	2.0	.59	9	.42	27	.62	18	.74	16
3	.170	1.42	0.8	1.03	3	.85	7	1.05	6	1.22	6
4	.210	1.90	0.4	1.46	2	1.25	3	1.51	3	1.78	3
5	.265	2.55	0.3	1.98	1	1.70	2	2.04	2		
6	.295	3.45	0.2	2.75	0.5	2.18	1				

STAINLESS STEEL ADJUSTABLE AIRMOVER SS40A



Bar	Vol in m³/min	Vol out m³/min
1.38	0.207	3.256
2.76	0.323	5.182
4.14	0.439	6.513
5.52	0.555	8.297

Material: Stainless Steel (Grade 304)

Weight: 0.84Kg

Standard Gap: Adjustable

dB(A) at: 5.5 bar is 80

Shims: Not applicable

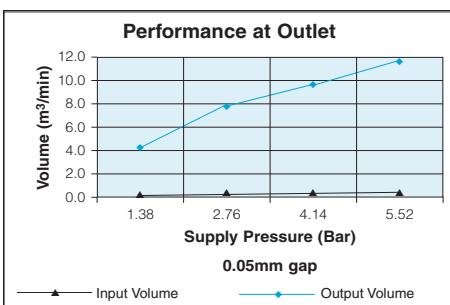
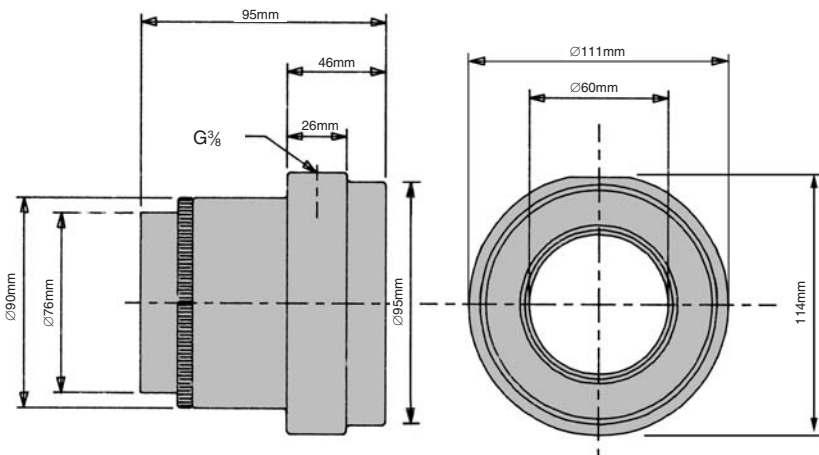
Standard Inlet Thread: G $\frac{3}{8}$

Options: $\frac{3}{8}$ " NPT
Please specify on order $\frac{3}{8}$ " NPTF

PERFORMANCE DATA – DUCTED

METRIC	Back Pressure (mm water gauge) and guide to equivalent pipe length										
	50mm water gauge		100mm water gauge		150mm water gauge		200mm water gauge		250mm water gauge		
Supply Pressure kg/cm ²	Vi m ³ /min	Vc m ³ /min	Equiv. Pipe length m	Vo m ³ /min	Equiv. Pipe length m	Vo m ³ /min	Equiv. Pipe length m	Vo m ³ /min	Equiv. Pipe length m	Vo m ³ /min	Equiv. Pipe length m
2	.26	1.22	10	1.00	29						
3	.36	1.97	4	1.44	14	1.16	34				
4	.42	2.88	2	2.20	6	1.75	15	1.00	58		
5	.50	4.14	1	3.08	3	2.49	7	1.80	18	1.33	43
6	.58	5.41	0.6	4.25	2	3.20	5	2.63	9	2.20	15

STAINLESS STEEL ADJUSTABLE AIRMOVER SS60A



Bar	Vol in m³/min	Vol out m³/min
1.38	0.280	4.191
2.76	0.476	7.561
4.14	0.654	9.231
5.52	0.841	11.327

Material: Stainless Steel (Grade 304)

Weight: 2.5Kg

Standard Gap: Adjustable

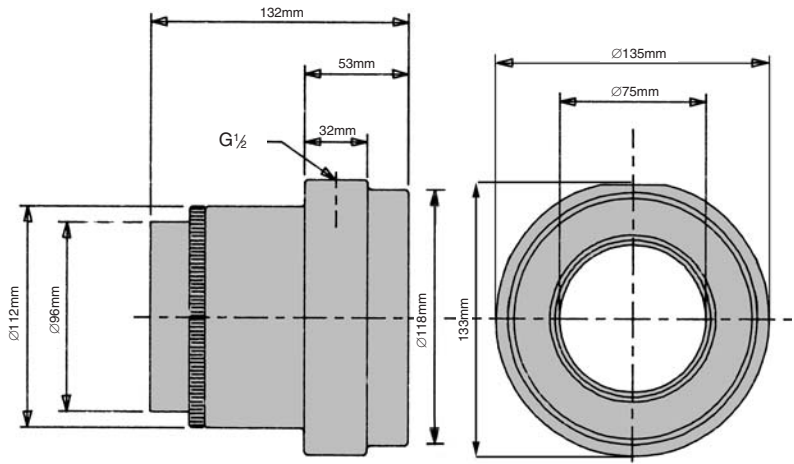
dB(A) at: 5.5 bar is 80

Shims: Not Applicable

Standard Inlet Thread: G $\frac{3}{8}$

Options: $\frac{3}{8}$ " NPT
Please specify on order $\frac{3}{8}$ " NPTF

SS75A STAINLESS STEEL ADJUSTABLE AIRMOVER MODEL



Material: Stainless Steel (Grade 304)

Weight: 4.5Kg

Standard Gap: Adjustable

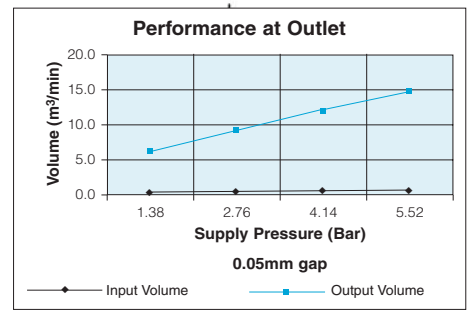
dB(A) at: 5.5 bar is 81

Shims: Not applicable

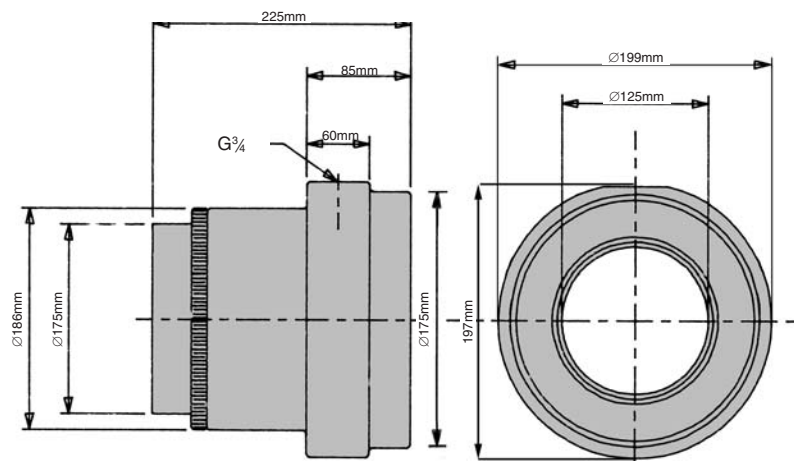
Standard Inlet Thread: G $\frac{1}{2}$

Options: $\frac{1}{2}$ " NPT
Please specify on order $\frac{1}{2}$ " NPTF

Bar	Vol in m ³ /min	Vol out m ³ /min
1.38	0.425	6.230
2.76	0.651	9.203
4.14	0.906	12.035
5.52	1.133	14.866



SS125A STAINLESS STEEL ADJUSTABLE AIRMOVER MODEL



Material: Stainless Steel (Grade 304)

Weight: 16.3Kg

Standard Gap: Adjustable

dB(A) at: 5.5 bar is 85

Shims: Not applicable

Standard Inlet Thread: G $\frac{3}{4}$

Options: $\frac{3}{4}$ " NPT
Please specify on order $\frac{3}{4}$ " NPTF

Bar	Vol in m ³ /min	Vol out m ³ /min
1.38	1.982	38.936
2.76	3.115	53.660
4.14	4.276	68.668
5.52	5.324	80.137

