

Flat suction cup (round)

<https://www.schmalz.com/10.01.01.11150>



PFYN 20 HT1-60 G1/8-IG

Part no.: 10.01.01.11150

Homepage > Vacuum Technology for Automation > Vacuum Components > Vacuum Suction Cups > Flat Suction Cups (Round) > Flat Suction Cups

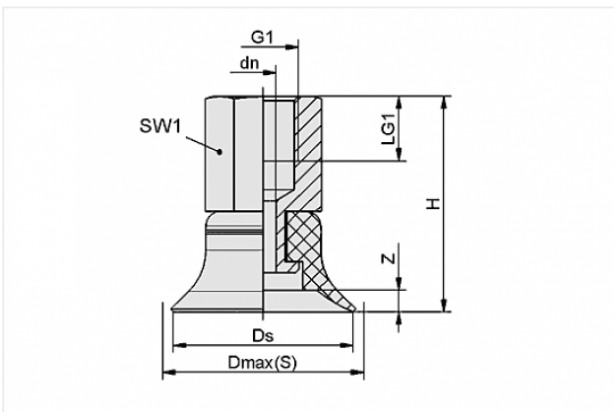
PFYN > PFYN 20 HT1-60 G1/8-IG

Flat suction cup (round) for smooth or slightly rough surfaces



Size: 20
Suction cup material:
High temp material HT1
Material hardness: 60 °Sh
Material property: imprint-free
Nipple material: Aluminium
Vacuum connection: G1/8-F

Design Data



Attribute	Value
dn	2 mm
Dmax(S)	23 mm
Ds	20 mm
G1	G1/8"-F
H	26 mm
LG1	9 mm
SW1	14 mm
Z	2.2 mm

Technical Data

Contact to Schmalz

J. Schmalz GmbH | Johannes-Schmalz-Straße, 72293 Glatten, Deutschland | +49 7443 2403-102 | customercenter@schmalz.de

Attribute	Value
Suction force	15.5 N
Volume	0.8 cm ³
Curve radius (min) (convex)	20 mm
Internal hose diameter (recom.)	4 mm
Size	20
Number of folds	0
Suction cup material	High temp material HT1
Material hardness	60 °Sh
Weight	7 g
Product family	PFYN

Note:

- Suction force: The specified suction forces are theoretical values at a vacuum of -0.6 bar and with a smooth, dry workpiece surface - they do not include a safety factor
- Hose diameter: The recommended hose diameter refers to a hose length of approx. 2 m

Spare Parts



SA-NIP N006 G1/8-IG DN200

Part no. 10.01.01.03522

Suction cup connection nipple

Nipple: N 006

Thread G1: G1/8-F

Overall length: 22.5 mm

Fitting length: 16 mm

Nominal size: 2.00 mm

Material: Aluminium



PFG 20 HT1-60 N006

Part no. 10.01.01.11163

Flat suction cup (round) for smooth or slightly rough surfaces

Size: 20

Suction cup material:

High temp material HT1

Material hardness: 60 °Sh

Material property: imprint-free