

## Flat suction cup (round)

SFF 40 SI-55 G1/4-IG

Part no.:10.01.01.14259

<https://www.schmalz.com/10.01.01.14259>

Homepage > Vacuum Technology for Automation > Vacuum Components > Vacuum Suction Cups > Suction Cups for Plastic Films and Paper >

Suction Cups SFF / SFB1 > SFF 40 SI-55 G1/4-IG

### Flat suction cup (round) for dynamic handling of thin and flexible workpieces



Size: 40

Suction cup material: Silicone SI

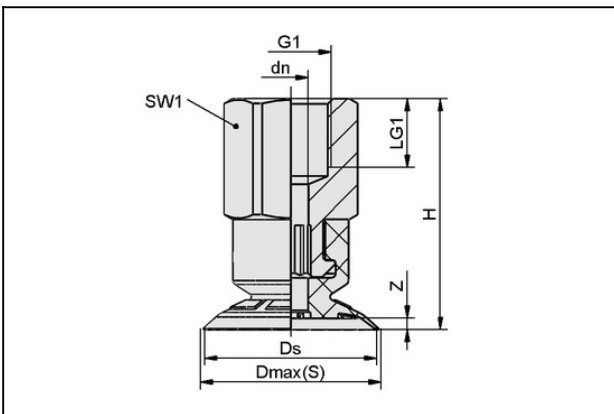
Material hardness: 55 °Sh

Thread G1: G1/4"-F

Material characteristics:

FDA-compatible

### Design Data



Attribute	Value
Dmax(S)	42 mm
Ds	40 mm
dn	4 mm
G1	G1/4-IG
LG1	12 mm
H	36.2 mm
SW1	17 mm
Z (Stroke)	2.7 mm

### Technical Data

#### Contact to Schmalz

J. Schmalz GmbH | Johannes-Schmalz-Straße, 72293 Glatten, Deutschland | +49 7443 2403-102 | [customercenter@schmalz.de](mailto:customercenter@schmalz.de)

## Flat suction cup (round)

SFF 40 SI-55 G1/4-IG

Part no.:10.01.01.14259

<https://www.schmalz.com/10.01.01.14259>

Attribute	Value
Suction force (-600mbar)	48.6 N
Volume	4.3 cm <sup>3</sup>
Size	40
Number of folds	0
Suction cup material	Silicone SI
Material hardness [Shore A]	55.0 Shore A
Weight	17.3 g
Product family	SFF

### Spare Parts



#### SFF 40 SI-55 SC050

Part no.10.01.01.13750

Flat suction cups (round) for the gentle handling of thin and flexible workpieces

Size: 40

Suction cup material: Silicone SI

Material hardness: 55 °Sh

Material characteristics:

FDA-compatible



#### SC 050 G1/4-IG SW410

Part no.10.01.06.04348

Connection element for suction cup "SchmalzConnector"

Connection geometry: 050

Vacuum connection: G1/4"-F

Overall length: 26.5 mm

Fitting length: 17.2 mm

Nominal diameter dn: 4.1 mm

## Flat suction cup (round)

SFF 40 SI-55 G1/4-IG

Part no.:10.01.01.14259

<https://www.schmalz.com/10.01.01.14259>

---

