

Flat suction cup (round)

SFF 40 SI-55 G1/4-AG

Part no.:10.01.01.14258

<https://www.schmalz.com/10.01.01.14258>

Homepage > Vacuum Technology for Automation > Vacuum Components > Vacuum Suction Cups > Suction Cups for Plastic Films and Paper >

Suction Cups SFF / SFB1 > SFF 40 SI-55 G1/4-AG

Flat suction cup (round) for dynamic handling of thin and flexible workpieces



Size: 40

Suction cup material: Silicone SI

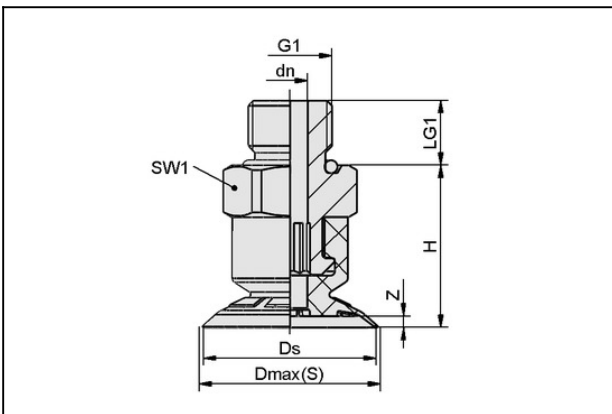
Material hardness: 55 °Sh

Thread G1: G1/4"-M

Material characteristics:

FDA-compatible

Design Data



Attribute	Value
Dmax(S)	42 mm
Ds	40 mm
dn	4 mm
G1	G1/4-AG
LG1	10 mm
H	26.2 mm
SW1	17 mm
Z (Stroke)	2.7 mm

Technical Data

Contact to Schmalz

J. Schmalz GmbH | Johannes-Schmalz-Straße, 72293 Glatten, Deutschland | +49 7443 2403-102 | customercenter@schmalz.de

Flat suction cup (round)

SFF 40 SI-55 G1/4-AG

Part no.:10.01.01.14258

<https://www.schmalz.com/10.01.01.14258>

Attribute	Value
Suction force (-600mbar)	48.6 N
Volume	4.3 cm ³
Size	40
Number of folds	0
Suction cup material	Silicone SI
Material hardness [Shore A]	55.0 Shore A
Weight	17.7 g
Product family	SFF

Spare Parts



SFF 40 SI-55 SC050

Part no.10.01.01.13750

Flat suction cups (round) for the gentle handling of thin and flexible workpieces

Size: 40

Suction cup material: Silicone SI

Material hardness: 55 °Sh

Material characteristics:

FDA-compatible



SC 050 G1/4-AG SW410

Part no.10.01.06.04347

Connection element for suction cup "SchmalzConnector"

Connection geometry: 050

Vacuum connection: G1/4"-M

Overall length: 26.5 mm

Fitting length: 7.2 mm

Nominal diameter dn: 4.1 mm

Flat suction cup (round)

SFF 40 SI-55 G1/4-AG

Part no.:10.01.01.14258

<https://www.schmalz.com/10.01.01.14258>

