

Flat suction cup (round)

SFF 40 HT1-60 G1/4-AG

Part no.:10.01.01.14282

<https://www.schmalz.com/10.01.01.14282>

Homepage > Vacuum Technology for Automation > Vacuum Components > Vacuum Suction Cups > Suction Cups for Plastic Films and Paper > Suction Cups SFF / SFB1 > SFF 40 HT1-60 G1/4-AG

Flat suction cup (round) for dynamic handling of thin and flexible workpieces



Size: 40

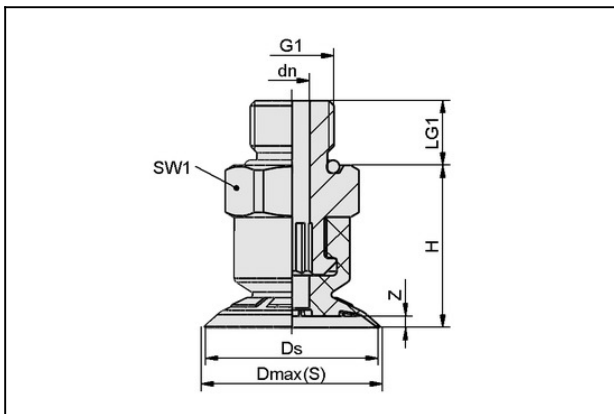
Suction cup material:

High temp material HT1

Material hardness: 60 °Sh

Thread G1: G1/4"-M

Design Data



Attribute	Value
Dmax(S)	42 mm
Ds	40 mm
dn	4 mm
G1	G1/4-AG
LG1	10 mm
H	26.2 mm
SW1	17 mm
Z (Stroke)	2.7 mm

Technical Data

Contact to Schmalz

J. Schmalz GmbH | Johannes-Schmalz-Straße, 72293 Glatten, Deutschland | +49 7443 2403-102 | customercenter@schmalz.de

Flat suction cup (round)

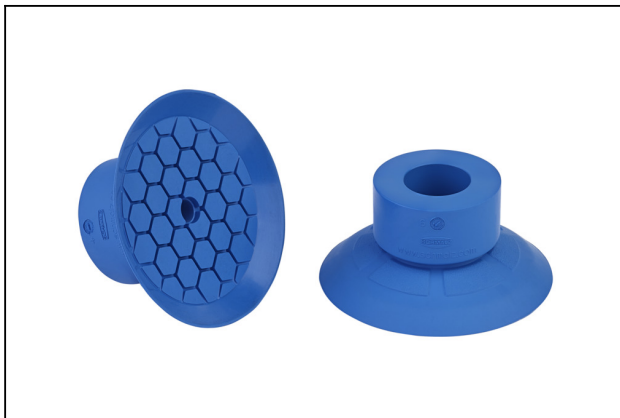
SFF 40 HT1-60 G1/4-AG

Part no.:10.01.01.14282

<https://www.schmalz.com/10.01.01.14282>

Attribute	Value
Suction force (-600mbar)	26.9 N
Volume	1.7 cm ³
Size	40
Number of folds	0
Suction cup material	High temp material HT1
Material hardness [Shore A]	60.0 Shore A
Weight	17.7 g
Product family	SFF

Spare Parts



SFF 40 HT1-60 SC050

Part no.10.01.01.14055

Flat suction cups (round) for the gentle handling of thin and flexible workpieces

Size: 40

Suction cup material:

High temp material HT1

Material hardness: 60 °Sh



SC 050 G1/4-AG SW410

Part no.10.01.06.04347

Connection element for suction cup "SchmalzConnector"

Connection geometry: 050

Vacuum connection: G1/4"-M

Overall length: 26.5 mm

Fitting length: 7.2 mm

Nominal diameter dn: 4.1 mm



Flat suction cup (round)

SFF 40 HT1-60 G1/4-AG

Part no.:10.01.01.14282

<https://www.schmalz.com/10.01.01.14282>
