

## Flat suction cup (round)

SFF 40 EPDM-45 G1/4-IG

Part no.:10.01.01.14271

<https://www.schmalz.com/10.01.01.14271>

Homepage > Vacuum Technology for Automation > Vacuum Components > Vacuum Suction Cups > Suction Cups for Plastic Films and Paper >

Suction Cups SFF / SFB1 > SFF 40 EPDM-45 G1/4-IG

### Flat suction cup (round) for dynamic handling of thin and flexible workpieces



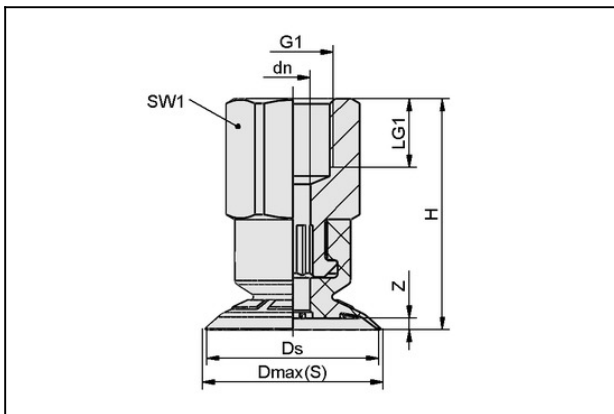
Size: 40

Suction cup material: EPDM

Material hardness: 45 °Sh

Thread G1: G1/4"-F

#### Design Data



Attribute	Value
Dmax(S)	42 mm
Ds	40 mm
dn	4 mm
G1	G1/4-IG
LG1	12 mm
H	36.2 mm
SW1	17 mm
Z (Stroke)	2.7 mm

#### Technical Data

#### Contact to Schmalz

J. Schmalz GmbH | Johannes-Schmalz-Straße, 72293 Glatten, Deutschland | +49 7443 2403-102 | [customercenter@schmalz.de](mailto:customercenter@schmalz.de)

## Flat suction cup (round)

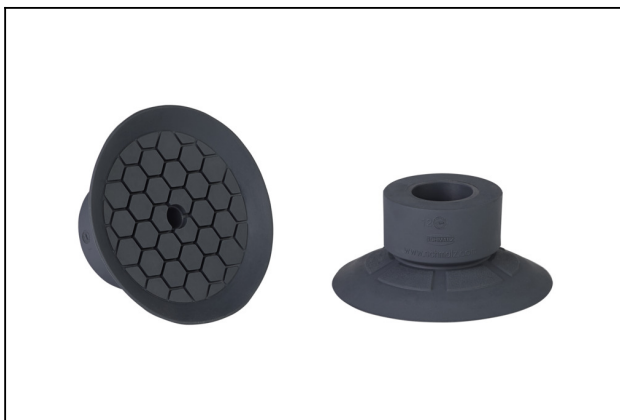
### SFF 40 EPDM-45 G1/4-IG

Part no.:10.01.01.14271

<https://www.schmalz.com/10.01.01.14271>

Attribute	Value
Suction force (-600mbar)	26.9 N
Volume	1.7 cm <sup>3</sup>
Size	40
Number of folds	0
Suction cup material	EPDM
Material hardness [Shore A]	45.0 Shore A
Weight	17.3 g
Product family	SFF

## Spare Parts



### SFF 40 EPDM-45 SC050

Part no.10.01.01.14049

Flat suction cups (round) for the gentle handling of thin and flexible workpieces

Size: 40

Suction cup material: EPDM

Material hardness: 45 °Sh



### SC 050 G1/4-IG SW410

Part no.10.01.06.04348

Connection element for suction cup "SchmalzConnector"

Connection geometry: 050

Vacuum connection: G1/4"-F

Overall length: 26.5 mm

Fitting length: 17.2 mm

Nominal diameter dn: 4.1 mm



## Flat suction cup (round)

SFF 40 EPDM-45 G1/4-IG

Part no.:10.01.01.14271

<https://www.schmalz.com/10.01.01.14271>

---