

## Flat suction cup (round)

### SFF 40 EPDM-45 G1/4-AG

Part no.:10.01.01.14270

<https://www.schmalz.com/10.01.01.14270>

Homepage > Vacuum Technology for Automation > Vacuum Components > Vacuum Suction Cups > Suction Cups for Plastic Films and Paper >

Suction Cups SFF / SFB1 > SFF 40 EPDM-45 G1/4-AG

## Flat suction cup (round) for dynamic handling of thin and flexible workpieces



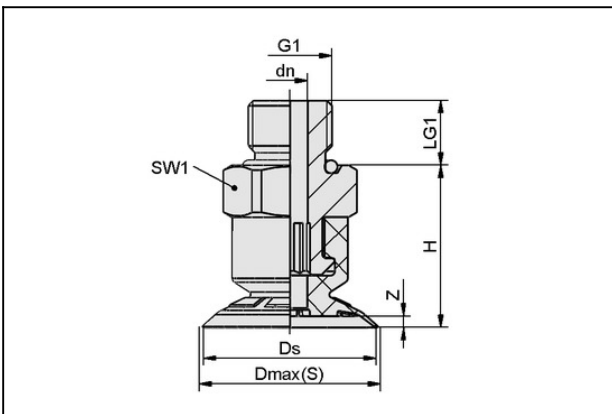
Size: 40

Suction cup material: EPDM

Material hardness: 45 °Sh

Thread G1: G1/4"-M

### Design Data



| Attribute  | Value   |
|------------|---------|
| Dmax(S)    | 42 mm   |
| Ds         | 40 mm   |
| dn         | 4 mm    |
| G1         | G1/4-AG |
| LG1        | 10 mm   |
| H          | 26.2 mm |
| SW1        | 17 mm   |
| Z (Stroke) | 2.7 mm  |

### Technical Data

#### Contact to Schmalz

J. Schmalz GmbH | Johannes-Schmalz-Straße, 72293 Glatten, Deutschland | +49 7443 2403-102 | [customercenter@schmalz.de](mailto:customercenter@schmalz.de)

## Flat suction cup (round)

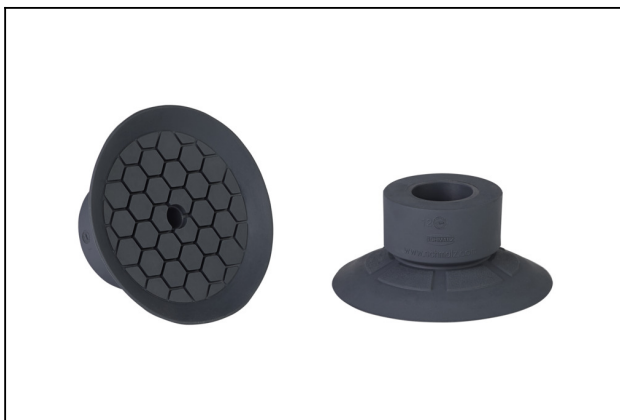
### SFF 40 EPDM-45 G1/4-AG

Part no.:10.01.01.14270

<https://www.schmalz.com/10.01.01.14270>

| Attribute                   | Value               |
|-----------------------------|---------------------|
| Suction force (-600mbar)    | 26.9 N              |
| Volume                      | 1.7 cm <sup>3</sup> |
| Size                        | 40                  |
| Number of folds             | 0                   |
| Suction cup material        | EPDM                |
| Material hardness [Shore A] | 45.0 Shore A        |
| Weight                      | 17.7 g              |
| Product family              | SFF                 |

## Spare Parts



### SFF 40 EPDM-45 SC050

Part no.10.01.01.14049

Flat suction cups (round) for the gentle handling of thin and flexible workpieces

Size: 40

Suction cup material: EPDM

Material hardness: 45 °Sh



### SC 050 G1/4-AG SW410

Part no.10.01.06.04347

Connection element for suction cup "SchmalzConnector"

Connection geometry: 050

Vacuum connection: G1/4"-M

Overall length: 26.5 mm

Fitting length: 7.2 mm

Nominal diameter dn: 4.1 mm

## Flat suction cup (round)

SFF 40 EPDM-45 G1/4-AG

Part no.:10.01.01.14270

<https://www.schmalz.com/10.01.01.14270>

---

