

Flat suction cup (round)

SFF 30 HT1-60 G1/4-IG

Part no.:10.01.01.14281

<https://www.schmalz.com/10.01.01.14281>

Homepage > Vacuum Technology for Automation > Vacuum Components > Vacuum Suction Cups > Suction Cups for Plastic Films and Paper >

Suction Cups SFF / SFB1 > SFF 30 HT1-60 G1/4-IG

Flat suction cup (round) for dynamic handling of thin and flexible workpieces



Size: 30

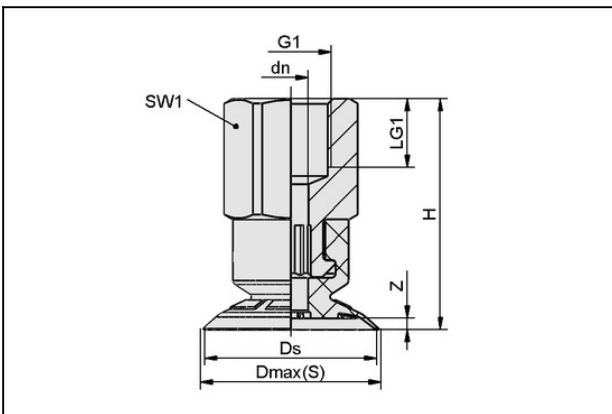
Suction cup material:

High temp material HT1

Material hardness: 60 °Sh

Thread G1: G1/4"-F

Design Data



Attribute	Value
Dmax(S)	31.5 mm
Ds	30 mm
dn	4 mm
G1	G1/4-IG
LG1	12 mm
H	30.8 mm
SW1	17 mm
Z (Stroke)	2 mm

Technical Data

Contact to Schmalz

J. Schmalz GmbH | Johannes-Schmalz-Straße, 72293 Glatten, Deutschland | +49 7443 2403-102 | customercenter@schmalz.de

Flat suction cup (round)

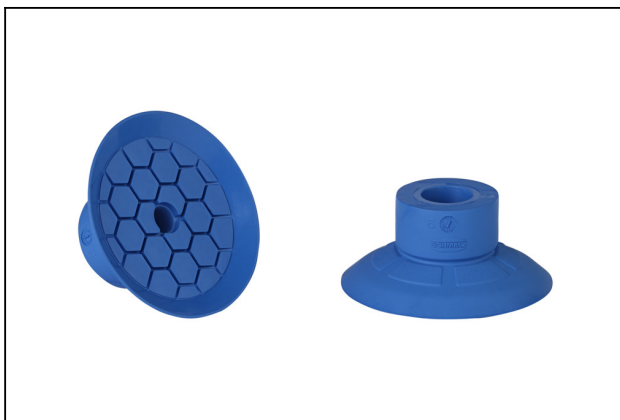
SFF 30 HT1-60 G1/4-IG

Part no.:10.01.01.14281

<https://www.schmalz.com/10.01.01.14281>

Attribute	Value
Suction force (-600mbar)	18.5 N
Volume	1.2 cm ³
Size	30
Number of folds	0
Suction cup material	High temp material HT1
Material hardness [Shore A]	60.0 Shore A
Weight	10.3 g
Product family	SFF

Spare Parts



SFF 30 HT1-60 SC040

Part no.10.01.01.14054

Flat suction cups (round) for the gentle handling of thin and flexible workpieces

Size: 30

Suction cup material:

High temp material HT1

Material hardness: 60 °Sh



SC 040 G1/4-IG

Part no.10.01.06.02918

Connection element for suction cup "SchmalzConnector"

Connection geometry: 040

Vacuum connection: G1/4"-F

Overall length: 24 mm

Fitting length: 17.3 mm

Nominal diameter dn: 4.1 mm



Flat suction cup (round)

SFF 30 HT1-60 G1/4-IG

Part no.:10.01.01.14281

<https://www.schmalz.com/10.01.01.14281>
