

## Flat suction cup (round)

SFF 30 HT1-60 G1/4-AG

Part no.:10.01.01.14280

<https://www.schmalz.com/10.01.01.14280>

Homepage > Vacuum Technology for Automation > Vacuum Components > Vacuum Suction Cups > Suction Cups for Plastic Films and Paper >

Suction Cups SFF / SFB1 > SFF 30 HT1-60 G1/4-AG

### Flat suction cup (round) for dynamic handling of thin and flexible workpieces



Size: 30

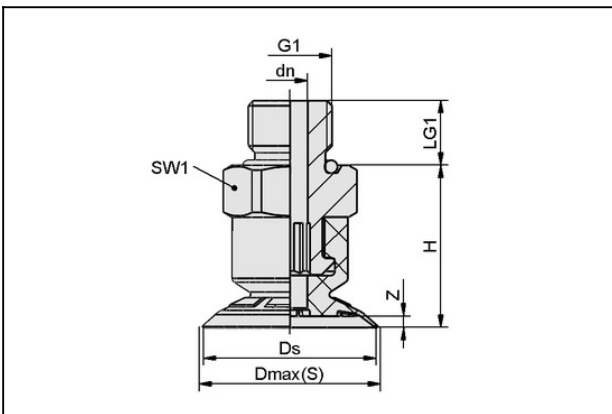
Suction cup material:

High temp material HT1

Material hardness: 60 °Sh

Thread G1: G1/4"-M

#### Design Data



Attribute	Value
Dmax(S)	31.5 mm
Ds	30 mm
dn	4 mm
G1	G1/4-AG
LG1	10 mm
H	19.5 mm
SW1	17 mm
Z (Stroke)	2 mm

#### Technical Data

#### Contact to Schmalz

J. Schmalz GmbH | Johannes-Schmalz-Straße, 72293 Glatten, Deutschland | +49 7443 2403-102 | [customercenter@schmalz.de](mailto:customercenter@schmalz.de)

## Flat suction cup (round)

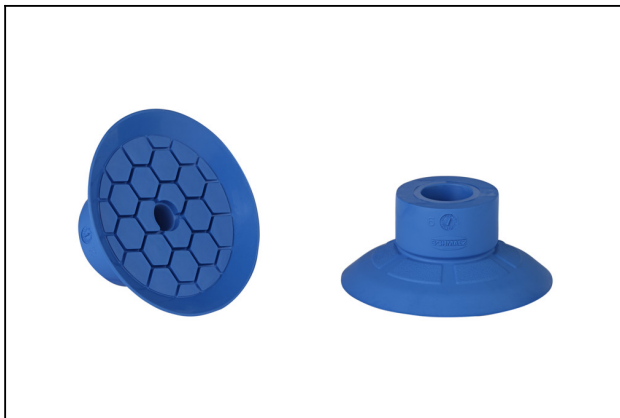
### SFF 30 HT1-60 G1/4-AG

Part no.:10.01.01.14280

<https://www.schmalz.com/10.01.01.14280>

Attribute	Value
Suction force (-600mbar)	18.5 N
Volume	1.2 cm <sup>3</sup>
Size	30
Number of folds	0
Suction cup material	High temp material HT1
Material hardness [Shore A]	60.0 Shore A
Weight	9.8 g
Product family	SFF

## Spare Parts



### SFF 30 HT1-60 SC040

Part no.10.01.01.14054

Flat suction cups (round) for the gentle handling of thin and flexible workpieces

Size: 30

Suction cup material:

High temp material HT1

Material hardness: 60 °Sh



### SC 040 G1/4-AG

Part no.10.01.06.03414

Connection element for suction cup "SchmalzConnector"

Connection geometry: 040

Vacuum connection: G1/4"-M

Overall length: 22.7 mm

Fitting length: 6 mm

Nominal diameter dn: 4.1 mm

## Flat suction cup (round)

SFF 30 HT1-60 G1/4-AG

Part no.:10.01.01.14280

<https://www.schmalz.com/10.01.01.14280>

---

