

STAINLESS STEEL TORQUE HINGE HG-TBS



Passed 40,000 open/close private cycle test

Free stop



● Stainless steel construction suitable for corrosive environments.

[Specifications]

● Operating temperature: 0°C ~ 40°C

[Applications]

● LCD, monitoring camera, etc.

[Remarks]

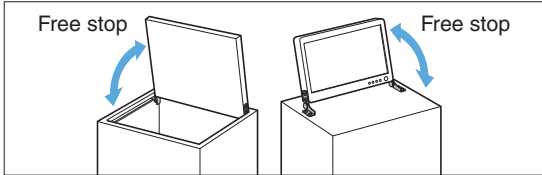
- Be sure to read the "Cautions" 1.
- For pair using: Please use the same torque in both hinges.
- When installing, ensure that both hinge shafts are levelled and aligned.

Video Link



Selection Tool
Sasuga-kun
 Applicable Products
 Used for Product Selection & Simulation.
 Available on Web!

[Application Example]



DAMPER HINGES

LIFT ASSIST HINGES

DETENT HINGES

CONCEALED HINGES

BUTT HINGES

PIANO HINGES

STEP HINGES

LIFT-OFF HINGES

PIVOT HINGES

SPRING HINGES

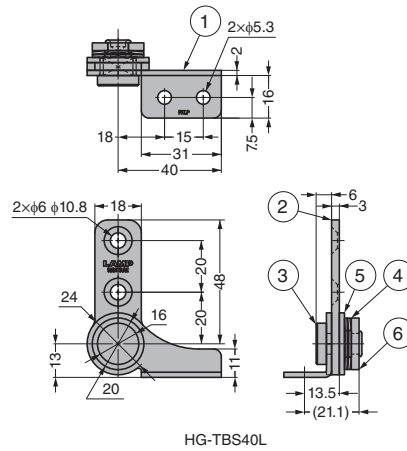
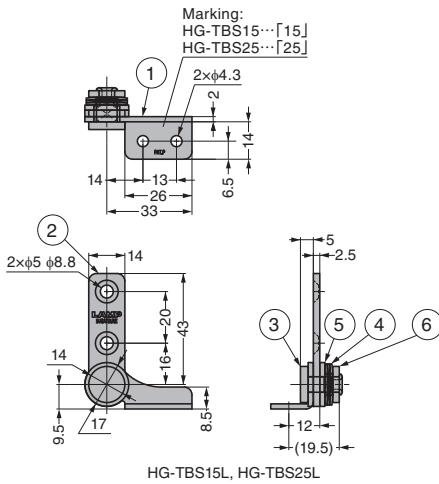
CLEAN ROOM HINGES

HINGES FOR ALUMINIUM FRAME

DROP HINGES

GLASS DOOR HINGES

SPECIAL HINGES



Left-handed type shown. Right-handed type is symmetrical.

No.	Part Name	Material	Finish
①	Body	Stainless Steel (SUS304)	Barrel Polished
②	Base		
③	Shaft	Stainless Steel (SUS303)	-
④	Spring Washer	Stainless Steel (SUS304)	Barrel Polished
⑤	Plate		
⑥	Washer		

RHS	CAD	Item Code	Item Name	Type	Torque N·m/pc	Torque kgf·cm/pc	Opening Angle	Weight (g)	Box (pcs)	Carton (pcs)
☑	3D	170-037-300	HG-TBS15R	Right	1.5 ± 20%	15.3 ± 20%	360°	37	40	320
☑	3D	170-037-301	HG-TBS15L	Left				37	40	320
☑	3D	170-037-302	HG-TBS25R	Right	2.5 ± 20%	25.5 ± 20%		38	40	320
☑	3D	170-037-303	HG-TBS25L	Left				38	40	320
☑	3D	170-037-304	HG-TBS40R	Right	4.0 ± 20%	40.8 ± 20%		67	20	160
☑	3D	170-037-305	HG-TBS40L	Left				67	20	160

Refer to 1 : P.15