

BALANCE-ADJUSTABLE LIFT-ASSIST HINGE HG-PA300-15 OUTSIDE MOUNT



- Easy to lift heavy top-opening lids due to spring tension (lift-assist).
- Balance adjustment allows for use in a wider range of lids than conventional lift-assist hinges.
- The built-in damper prevents lids from slamming shut (soft-close).
- Torque is adjustable by turning the adjustment screw ($\pm 10\%$).
- Comes with a plastic cover for clean appearance.

[Applications]

- Medical equipment, analytical instruments, semiconductor equipment.

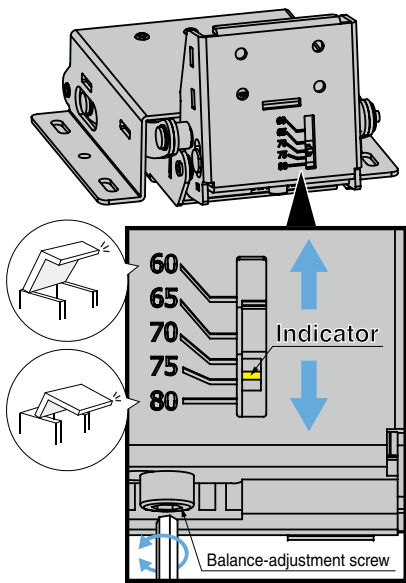
[Remarks]

- Be sure to read the "Cautions" 1.



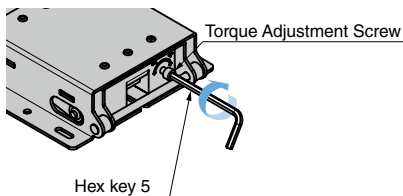
Selection Tool
Sasuga-kun
Applicable Products
Used for Product Selection & Simulation.
Available online!

[Balance Adjustment]

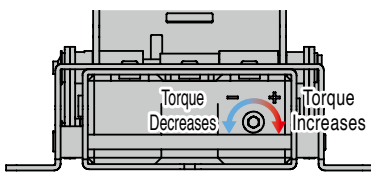


Angle of peak torque is adjustable with hex key 5. This feature allows adjustment to the location of center of gravity

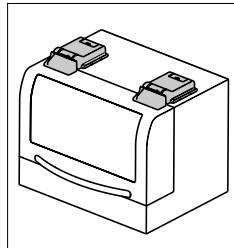
[How to Adjust Torque]



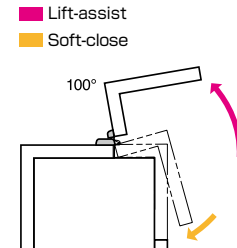
Turn the screw with a hex key



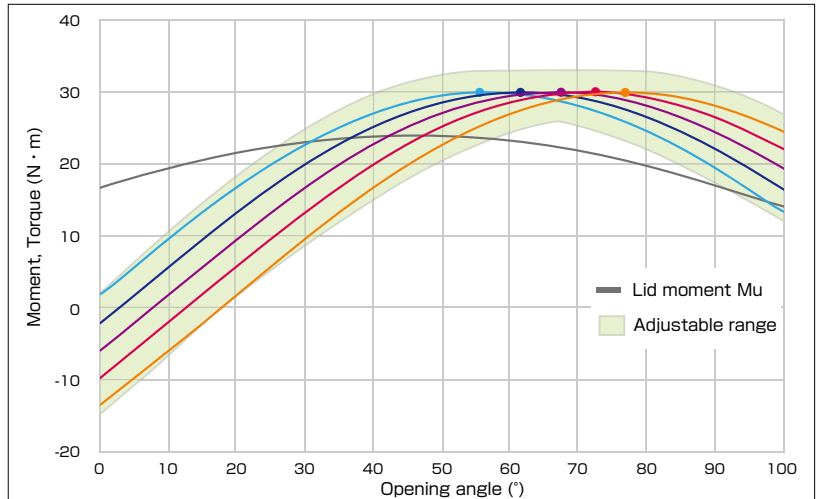
[Installation]



[Working range]



[Torque-Angle Graph] showing the adjustable range of peak torque's angle



[Indicator's Scale]

- 60 — 65 — 70 (default) — 75 — 80 ● Angle of peak torque

Lid moment $\mu >$ Hinge torque . . . Force is applied in the closing direction of lid.

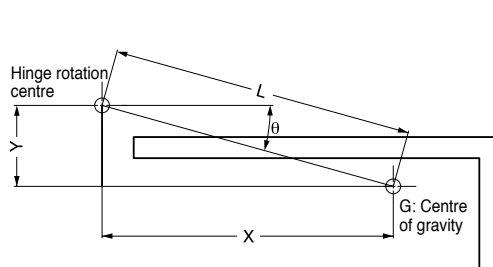
Lid moment $\mu <$ Hinge torque . . . Force is applied in the opening direction of lid.

Lid specs (example) : X=170mm Y=175mm L=244mm m=8.6kg

(Setting the indicator to 60 is the right adjustment in this case.)

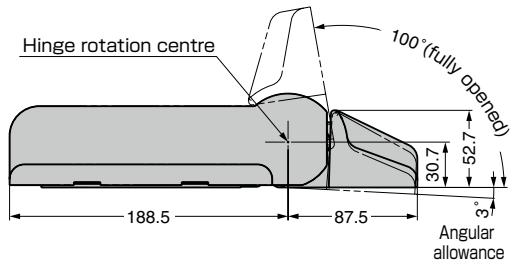
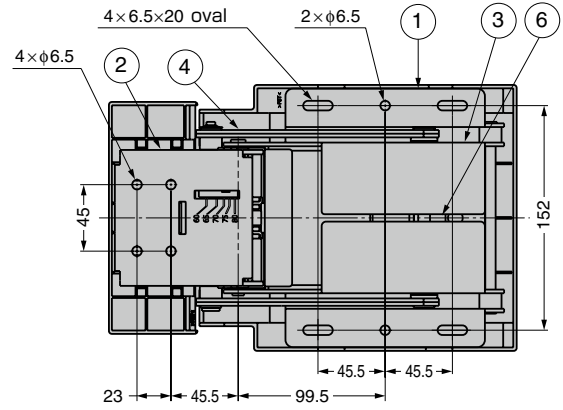
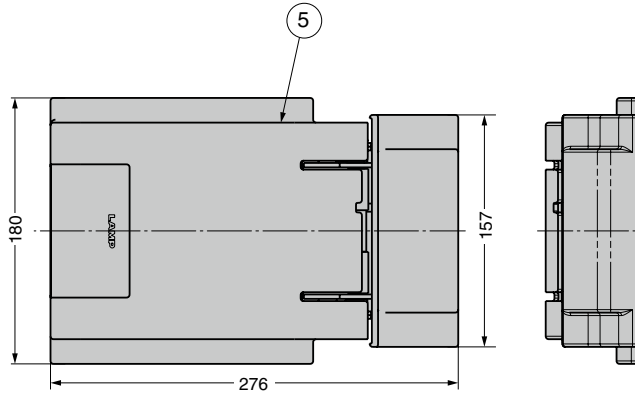
[Calculating Lid Moment]

Calculation formula $\mu = m \times L \times \cos \theta$



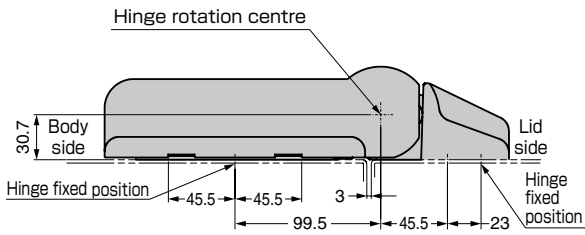
X	Horizontal distance from rotation centre to lid centre of gravity
Y	Vertical distance from rotation centre to lid centre of gravity
L	Distance from rotation centre to lid centre of gravity
θ	Angle from the horizontal line at the rotation centre to lid centre of gravity
m	Lid weight
G	Lid centre of gravity

Refer to 1 : No.280 P.15

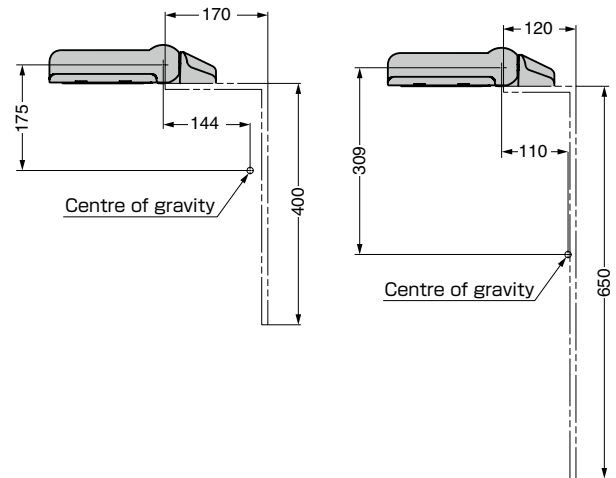


No.	Part Name	Material / Colour
①	Base A	Stainless Steel (SUS430)
②	Base B	
③	Case	PBT / Light Grey
④	Link Arm	
⑤	Plastic Cover	POM
⑥	Slider	
⑦	Spring	Steel (SWO)

[Installation]



[Installation Example]



RdHS	CAD	Item Code	Item Name	Description	Torque N·m/pc	Torque kgf·cm/pc	Weight (g)	Box (pcs)	Carton (pcs)
		170-044-367	HG-PA300-15	Peak torque 60°-80°	15±10%	153±10%	3400	1	-