

Flat suction cup (round)

<https://www.schmalz.com/10.01.01.00181>



PFYN 8 FPM-65 M5-AG

Part no.: 10.01.01.00181

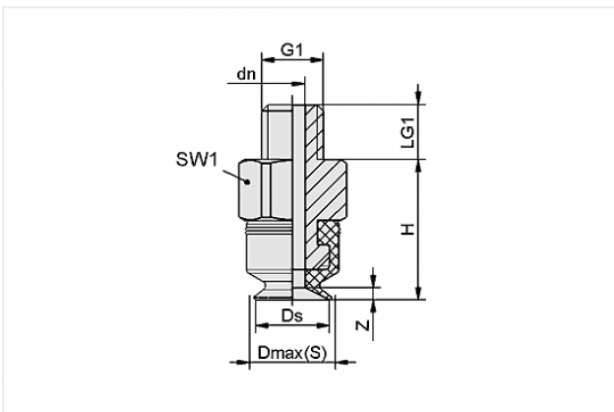
Homepage > Vacuum Technology for Automation > Vacuum Components > Vacuum Suction Cups > Flat Suction Cups (Round) > Flat Suction Cups
PFYN > PFYN 8 FPM-65 M5-AG

Flat suction cup (round) for smooth or slightly rough surfaces



Size: 8
Suction cup material:
Fluorocautchuc FPM
Material hardness: 65 °Sh
Material property: imprint-free
Nipple material: Aluminium
Vacuum connection: M5-M

Design Data



Attribute	Value
-----------	-------

dn	2 mm
Dmax(S)	8.5 mm
Ds	8 mm
G1	M5-M
H	12 mm
LG1	4.5 mm
SW1	8 mm
Z	1.3 mm

Technical Data

Contact to Schmalz

J. Schmalz GmbH | Johannes-Schmalz-Straße, 72293 Glatten, Deutschland | +49 7443 2403-102 |
customercenter@schmalz.de

Attribute	Value
Suction force	2.3 N
Volume	0.03 cm ³
Curve radius (min) (convex)	10 mm
Internal hose diameter (recom.)	2 mm
Size	8
Number of folds	0
Suction cup material	Fluorocaoutchuc FPM
Material hardness	65 °Sh
Weight	1.2 g
Product family	PFYN

Note:

- Suction force: The specified suction forces are theoretical values at a vacuum of -0.6 bar and with a smooth, dry workpiece surface - they do not include a safety factor
- Hose diameter: The recommended hose diameter refers to a hose length of approx. 2 m

Spare Parts



SA-NIP N004 M5-AG DN200

Part no. 10.01.01.03526

Suction cup connection nipple

Nipple: N 004

Thread G1: M5-M

Overall length: 13.5 mm

Fitting length: 5 mm

Nominal size: 2.00 mm

Material: Aluminium



PFG 8 FPM-65 N004

Part no. 10.01.01.00069

Flat suction cup (round) for smooth or slightly rough surfaces

Size: 8

Suction cup material:

Fluorocautchuc FPM

Material hardness: 65 °Sh

Material property: non-marking