

Flat suction cup (round)

<https://www.schmalz.com/10.01.01.10346>



PFYN 6 NBR-AS-55 M5-IG

Part no.: 10.01.01.10346

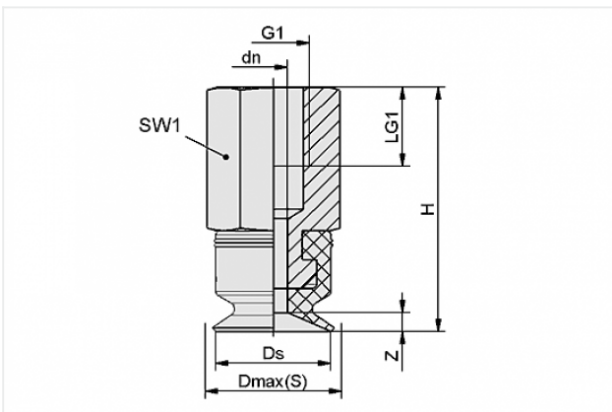
Homepage > Vacuum Technology for Automation > Vacuum Components > Vacuum Suction Cups > Flat Suction Cups (Round) > Flat Suction Cups
PFYN > PFYN 6 NBR-AS-55 M5-IG

Flat suction cup (round) for smooth or slightly rough surfaces



Size: 6
Suction cup material:
Nitrile rubber NBR-antistat
Material hardness: 55 °Sh
Nipple material: Aluminium
Vacuum connection: M5-F

Design Data



Attribute	Value
-----------	-------

dn	2 mm
Dmax(S)	6.5 mm
Ds	6 mm
G1	M5-F
H	16.5 mm
LG1	5.5 mm
SW1	8 mm
Z	1 mm

Technical Data

Contact to Schmalz

J. Schmalz GmbH | Johannes-Schmalz-Straße, 72293 Glatten, Deutschland | +49 7443 2403-102 | customercenter@schmalz.de

Attribute	Value
Suction force	1.2 N
Volume	0.008 cm ³
Curve radius (min) (convex)	7.5 mm
Internal hose diameter (recom.)	2 mm
Size	6
Number of folds	0
Suction cup material	Nitrile rubber NBR-antistat
Material hardness	55 °Sh
Weight	1.4 g
Product family	PFYN

Note:

- Suction force: The specified suction forces are theoretical values at a vacuum of -0.6 bar and with a smooth, dry workpiece surface - they do not include a safety factor
- Hose diameter: The recommended hose diameter refers to a hose length of approx. 2 m

Spare Parts



SA-NIP N004 M5-IG DN200

Part no. 10.01.01.03518

Suction cup connection nipple

Nipple: N 004

Thread G1: M5-F

Overall length: 14 mm

Fitting length: 10 mm

Nominal size: 2.00 mm

Material: Aluminium



PFG 6 NBR-AS-55 N004

Part no. 10.01.01.10065

Flat suction cup (round) for smooth or slightly rough surfaces

Size: 6

Suction cup material:

Nitrile rubber NBR-antistat

Material hardness: 55 °Sh