

# Flat suction cup (round)

<https://www.schmalz.com/10.01.01.00082>



## PFYN 6 NBR-55 M5-IG

Part no.: 10.01.01.00082

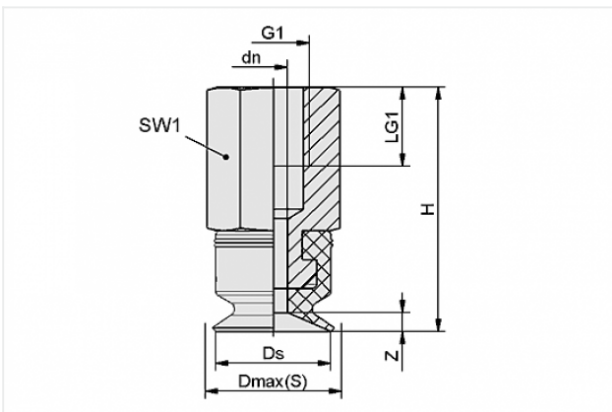
Homepage > Vacuum Technology for Automation > Vacuum Components > Vacuum Suction Cups > Flat Suction Cups (Round) > Flat Suction Cups  
PFYN > PFYN 6 NBR-55 M5-IG

### Flat suction cup (round) for smooth or slightly rough surfaces



Size: 6  
Suction cup material:  
Nitrile rubber NBR  
Material hardness: 55 °Sh  
Nipple material: Aluminium  
Vacuum connection: M5-F

### Design Data



| Attribute | Value |
|-----------|-------|
|-----------|-------|

|         |         |
|---------|---------|
| dn      | 2 mm    |
| Dmax(S) | 6.5 mm  |
| Ds      | 6 mm    |
| G1      | M5-F    |
| H       | 16.5 mm |
| LG1     | 5.5 mm  |
| SW1     | 8 mm    |
| Z       | 1 mm    |

### Technical Data

#### Contact to Schmalz

J. Schmalz GmbH | Johannes-Schmalz-Straße, 72293 Glatten, Deutschland | +49 7443 2403-102 |  
customercenter@schmalz.de

| Attribute                       | Value                 |
|---------------------------------|-----------------------|
| Suction force                   | 1.2 N                 |
| Volume                          | 0.008 cm <sup>3</sup> |
| Curve radius (min) (convex)     | 7.5 mm                |
| Internal hose diameter (recom.) | 2 mm                  |
| Size                            | 6                     |
| Number of folds                 | 0                     |
| Suction cup material            | Nitrile rubber NBR    |
| Material hardness               | 55 °Sh                |
| Weight                          | 1.4 g                 |
| Product family                  | PFYN                  |

**Note:**

- Suction force: The specified suction forces are theoretical values at a vacuum of -0.6 bar and with a smooth, dry workpiece surface - they do not include a safety factor
- Hose diameter: The recommended hose diameter refers to a hose length of approx. 2 m

**Spare Parts**



**SA-NIP N004 M5-IG DN200**

Part no. 10.01.01.03518

Suction cup connection nipple

Nipple: N 004

Thread G1: M5-F

Overall length: 14 mm

Fitting length: 10 mm

Nominal size: 2.00 mm

Material: Aluminium



**PFG 6 NBR-55 N004**

Part no. 10.01.01.00008

Flat suction cup (round) for smooth or slightly rough surfaces

Size: 6

Suction cup material:

Nitrile rubber NBR

Material hardness: 55 °Sh