

# Flat suction cup (round)

<https://www.schmalz.com/10.01.01.11145>



## PFYN 6 HT1-60 M5-IG

Part no.: 10.01.01.11145

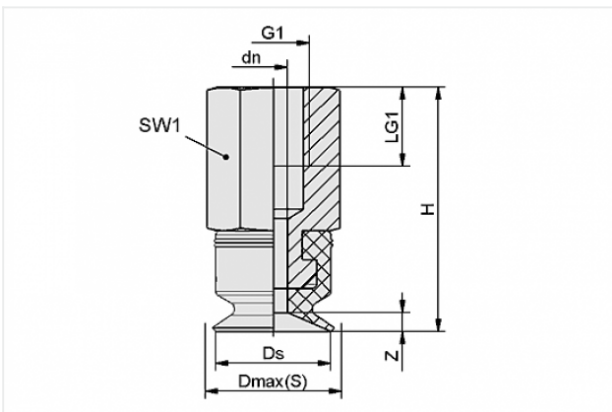
Homepage > Vacuum Technology for Automation > Vacuum Components > Vacuum Suction Cups > Flat Suction Cups (Round) > Flat Suction Cups  
PFYN > PFYN 6 HT1-60 M5-IG

### Flat suction cup (round) for smooth or slightly rough surfaces



Size: 6  
Suction cup material:  
High temp material HT1  
Material hardness: 60 °Sh  
Material property: imprint-free  
Nipple material: Aluminium  
Vacuum connection: M5-F

### Design Data



Attribute	Value
-----------	-------

dn	2 mm
Dmax(S)	6.5 mm
Ds	6 mm
G1	M5-F
H	16.5 mm
LG1	5.5 mm
SW1	8 mm
Z	1 mm

### Technical Data

#### Contact to Schmalz

J. Schmalz GmbH | Johannes-Schmalz-Straße, 72293 Glatten, Deutschland | +49 7443 2403-102 |  
customercenter@schmalz.de

Attribute	Value
Suction force	1.2 N
Volume	0.008 cm <sup>3</sup>
Curve radius (min) (convex)	7.5 mm
Internal hose diameter (recom.)	2 mm
Size	6
Number of folds	0
Suction cup material	High temp material HT1
Material hardness	60 °Sh
Weight	1.4 g
Product family	PFYN

**Note:**

- Suction force: The specified suction forces are theoretical values at a vacuum of -0.6 bar and with a smooth, dry workpiece surface - they do not include a safety factor
- Hose diameter: The recommended hose diameter refers to a hose length of approx. 2 m

**Spare Parts**



**SA-NIP N004 M5-IG DN200**

Part no. 10.01.01.03518

Suction cup connection nipple

Nipple: N 004

Thread G1: M5-F

Overall length: 14 mm

Fitting length: 10 mm

Nominal size: 2.00 mm

Material: Aluminium



**PFG 6 HT1-60 N004**

Part no. 10.01.01.11159

Flat suction cup (round) for smooth or slightly rough surfaces

Size: 6

Suction cup material:

High temp material HT1

Material hardness: 60 °Sh

Material property: imprint-free