

Flat suction cup (round)

<https://www.schmalz.com/10.01.01.00095>



PFYN 5 SI-55 M5-IG

Part no.: 10.01.01.00095

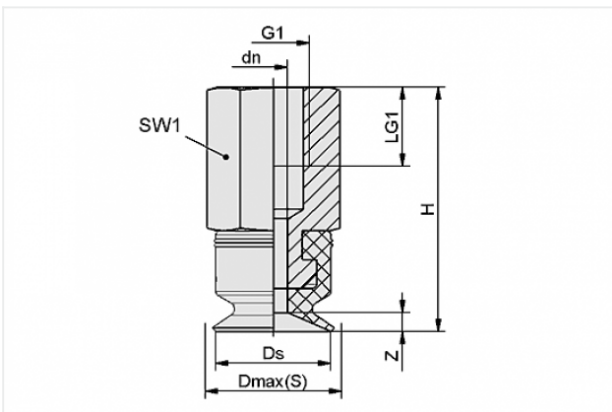
Homepage > Vacuum Technology for Automation > Vacuum Components > Vacuum Suction Cups > Flat Suction Cups (Round) > Flat Suction Cups
PFYN > PFYN 5 SI-55 M5-IG

Flat suction cup (round) for smooth or slightly rough surfaces



Size: 5
Suction cup material: Silicone SI
Material hardness: 55 °Sh
Material characteristics:
FDA-compatible
Nipple material: Aluminium
Vacuum connection: M5-F

Design Data



Attribute	Value
-----------	-------

dn	1.5 mm
----	--------

Dmax(S)	5.5 mm
---------	--------

Ds	5 mm
----	------

G1	M5-F
----	------

H	16.5 mm
---	---------

LG1	5.5 mm
-----	--------

SW1	8 mm
-----	------

Z	0.9 mm
---	--------

Technical Data

Contact to Schmalz

J. Schmalz GmbH | Johannes-Schmalz-Straße, 72293 Glatten, Deutschland | +49 7443 2403-102 |
customercenter@schmalz.de

Attribute	Value
Suction force	0.75 N
Volume	0.005 cm ³
Curve radius (min) (convex)	7.5 mm
Internal hose diameter (recom.)	2 mm
Size	5
Number of folds	0
Suction cup material	Silicone SI
Material hardness	55 °Sh
Weight	1.4 g
Product family	PFYN

Note:

- Suction force: The specified suction forces are theoretical values at a vacuum of -0.6 bar and with a smooth, dry workpiece surface - they do not include a safety factor
- Hose diameter: The recommended hose diameter refers to a hose length of approx. 2 m

Spare Parts



SA-NIP N004 M5-IG DN200

Part no. 10.01.01.03518

Suction cup connection nipple

Nipple: N 004

Thread G1: M5-F

Overall length: 14 mm

Fitting length: 10 mm

Nominal size: 2.00 mm

Material: Aluminium



PFG 5 SI-55 N004

Part no. 10.01.01.00027

Flat suction cup (round) for smooth or slightly rough surfaces

Size: 5

Suction cup material: Silicone SI

Material hardness: 55 °Sh

Material characteristics:

FDA-compatible