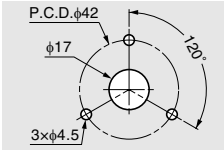


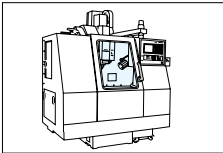
# LATCH HANDLE LH-203



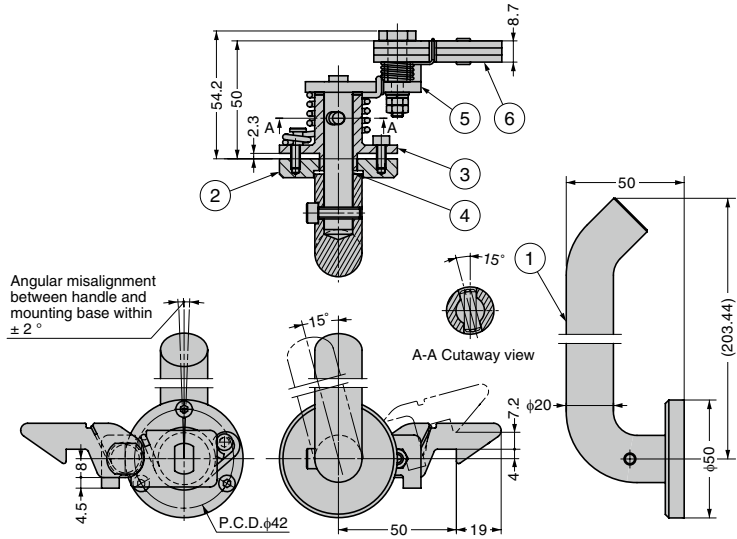
**[Cut Out Dimensions]**



**[Application Example]**



- Handle with latch.
- Suitable for sliding covers.



Angular misalignment between handle and mounting base within  $\pm 2^\circ$

A-A Cutaway view

No.	Part Name	Material	Finish
①	Handle	Aluminium Alloy	Black Enamel Finish
②	Bracket	Brass	
③	Body	Steel (S45C)	Coloured Zinc Chromate
④	Shaft		
⑤	Plate A	Steel (SPHC)	
⑥	Plate B	Steel (SPCC)	

RoHS	CAD	Item Code	Item Name	Weight (g)	Box (pcs)	Carton (pcs)
		140-010-223	LH-203	500	2	24

# ZweiL STAINLESS STEEL DOOR HANDLE ZL-1506 DIGEST

SUS316 TEMPERED GLASS



- Superior "Zwei L Finish" .  
Zwei L represents the very pinnacle of ultra-premium Japanese hardware design. Contrasting bands of mirror finish and lustrous satin on a faceted profile give jewel like highlights which flatter any architectural space.
- Suitable for double-sided mount for glass/wooden/metal doors and single-sided mount for wooden/glass doors.

