

Flat suction cup (round)

SUF 90 SI-55 G1/4-AG

Part no.:10.01.01.14070

<https://www.schmalz.com/10.01.01.14070>

Homepage > Vacuum Technology for Automation > Vacuum Components > Vacuum Suction Cups > Flat suction cup (round) > Suction Cups

SUF > SUF 90 SI-55 G1/4-AG

Flat suction cup (round) for process safe handling of smooth or slightly rough surfaces

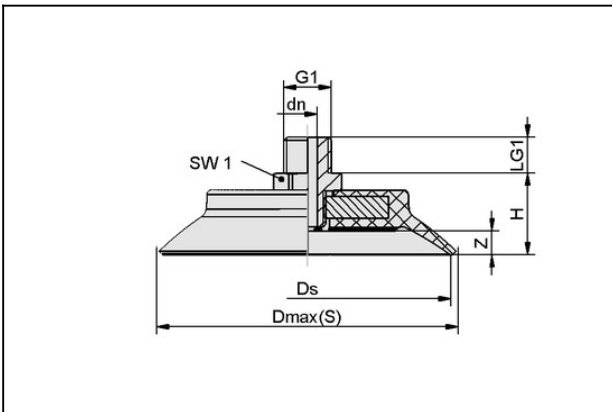


Size: 90

Suction cup material: Silicone SI

Material hardness: 55 °Sh

Design Data



Attribute	Value
Dmax(S)	98.1 mm
Ds	90 mm
dn	5.1 mm
G1	G1/4"-M
H	23.2 mm
LG1	10 mm
SW1	17 mm
Z (Stroke)	7 mm

Technical Data

Contact to Schmalz

J. Schmalz GmbH | Johannes-Schmalz-Straße, 72293 Glatten, Deutschland | +49 7443 2403-102 | customercenter@schmalz.de

Flat suction cup (round)

SUF 90 SI-55 G1/4-AG

Part no.:10.01.01.14070

<https://www.schmalz.com/10.01.01.14070>



Attribute	Value
Size	90
Suction cup material	Silicone SI
Material hardness [Shore A]	55 Shore A
Abreißkraft (real)	328.2 N