

## Flat suction cup (round)

### SUF 60 HT1-60 G1/4-IG

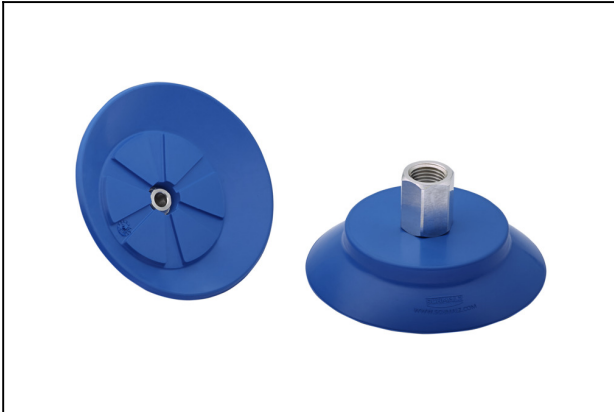
Part no.:10.01.01.14082

<https://www.schmalz.com/10.01.01.14082>

Homepage > Vacuum Technology for Automation > Vacuum Components > Vacuum Suction Cups > Flat suction cup (round) > Suction Cups

SUF > SUF 60 HT1-60 G1/4-IG

## Flat suction cup (round) for process safe handling of smooth or slightly rough surfaces



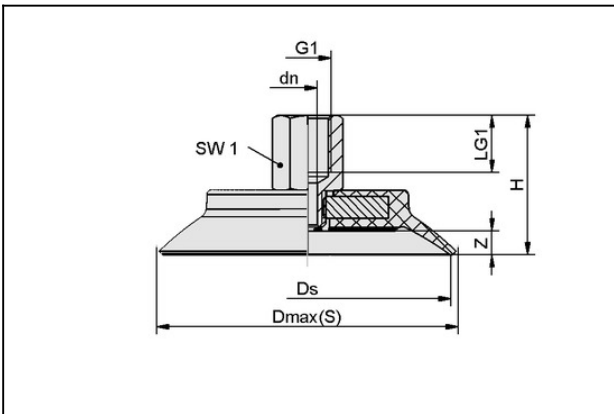
Size: 60

Suction cup material:

High temp material HT1

Material hardness: 60 °Sh

### Design Data



| Attribute  | Value   |
|------------|---------|
| Dmax(S)    | 66.4 mm |
| Ds         | 60 mm   |
| dn         | 5.1 mm  |
| G1         | G1/4"-F |
| H          | 33.9 mm |
| LG1        | 12 mm   |
| SW1        | 17 mm   |
| Z (Stroke) | 5.5 mm  |

### Technical Data

#### Contact to Schmalz

J. Schmalz GmbH | Johannes-Schmalz-Straße, 72293 Glatten, Deutschland | +49 7443 2403-102 | [customercenter@schmalz.de](mailto:customercenter@schmalz.de)



## Flat suction cup (round)

SUF 60 HT1-60 G1/4-IG

Part no.:10.01.01.14082

<https://www.schmalz.com/10.01.01.14082>

| Attribute                   | Value                  |
|-----------------------------|------------------------|
| Size                        | 60                     |
| Suction cup material        | High temp material HT1 |
| Material hardness [Shore A] | 60 Shore A             |
| Abreißkraft (real)          | 139.8 N                |

---

---