

## Flat suction cup (round)

### SUF 50 SI-55 G1/8-AG

Part no.:10.01.01.14100

<https://www.schmalz.com/10.01.01.14100>

Homepage > Vacuum Technology for Automation > Vacuum Components > Vacuum Suction Cups > Flat suction cup (round) > Suction Cups

SUF > SUF 50 SI-55 G1/8-AG

## Flat suction cup (round) for process safe handling of smooth or slightly rough surfaces

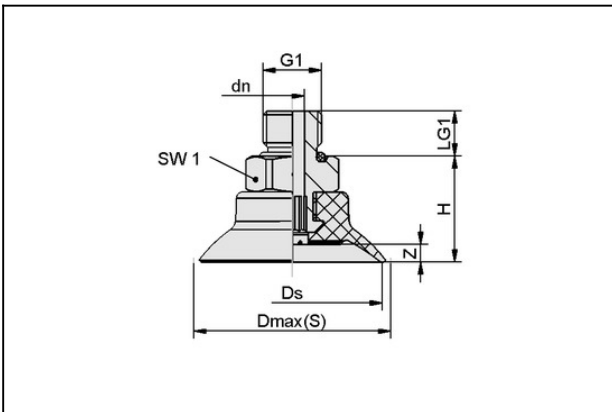


Size: 50

Suction cup material: Silicone SI

Material hardness: 55 °Sh

### Design Data



Attribute	Value
Dmax(S)	54.3 mm
Ds	50 mm
dn	4.1 mm
G1	G1/8"-M
H	24.2 mm
LG1	7.5 mm
SW1	17 mm
Z (Stroke)	5 mm

### Technical Data

#### Contact to Schmalz

J. Schmalz GmbH | Johannes-Schmalz-Straße, 72293 Glatten, Deutschland | +49 7443 2403-102 | [customercenter@schmalz.de](mailto:customercenter@schmalz.de)

# Flat suction cup (round)

## SUF 50 SI-55 G1/8-AG

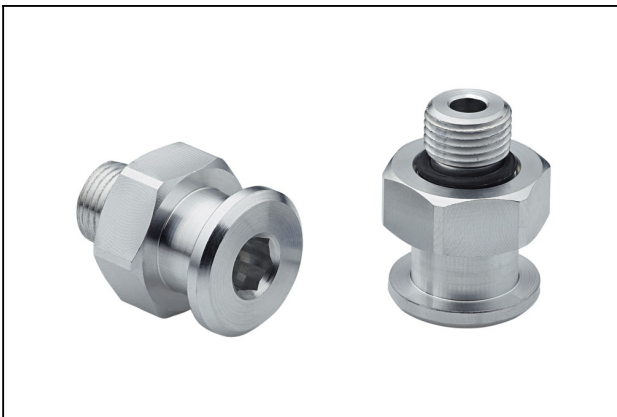
Part no.:10.01.01.14100

<https://www.schmalz.com/10.01.01.14100>



Attribute	Value
Size	50
Suction cup material	Silicone SI
Material hardness [Shore A]	55 Shore A
Abreißkraft (real)	95.3 N

### Spare Parts



#### SC 050 G1/8-AG

Part no.10.01.06.04250

Connection element for suction cup "SchmalzConnector"

Connection geometry: 050

Vacuum connection: G1/8"-M

Overall length: 24 mm

Fitting length: 7.2 mm

Nominal diameter dn: 4.1 mm



#### SUF 50 SI-55 SC050

Part no.10.01.01.13974

Flat suction cup (round) f. process- safe handling of smooth or slightly rough surfaces

Size: 50

Suction cup material: Silicone SI

Material hardness: 55 °Sh