

## Flat suction cup (round)

### SUF 50 HT1-60 G1/8-IG

Part no.:10.01.01.14112

<https://www.schmalz.com/10.01.01.14112>

Homepage > Vacuum Technology for Automation > Vacuum Components > Vacuum Suction Cups > Flat suction cup (round) > Suction Cups

SUF > SUF 50 HT1-60 G1/8-IG

## Flat suction cup (round) for process safe handling of smooth or slightly rough surfaces



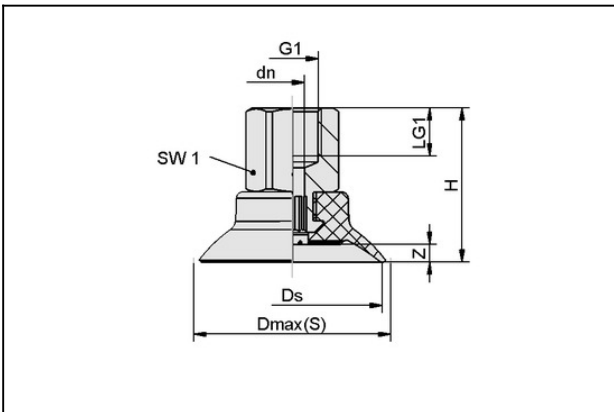
Size: 50

Suction cup material:

High temp material HT1

Material hardness: 60 °Sh

### Design Data



Attribute	Value
Dmax(S)	54.3 mm
Ds	50 mm
dn	6.1 mm
G1	G1/8"-F
H	31 mm
LG1	8 mm
SW1	17 mm
Z (Stroke)	5 mm

### Technical Data

#### Contact to Schmalz

J. Schmalz GmbH | Johannes-Schmalz-Straße, 72293 Glatten, Deutschland | +49 7443 2403-102 | [customercenter@schmalz.de](mailto:customercenter@schmalz.de)

## Flat suction cup (round)

### SUF 50 HT1-60 G1/8-IG

Part no.:10.01.01.14112

<https://www.schmalz.com/10.01.01.14112>

Attribute	Value
Size	50
Suction cup material	High temp material HT1
Material hardness [Shore A]	60 Shore A
Abreißkraft (real)	95.3 N

## Spare Parts



### SC 050 G1/8-IG

Part no.10.01.06.04308

Connection element for suction cup "SchmalzConnector"

Connection geometry: 050

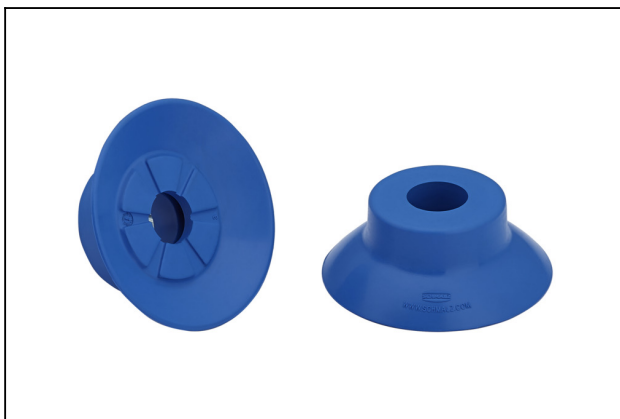
Vacuum connection: G1/8"-F

Overall length: 23.3 mm

Fitting length: 14 mm

Nominal diameter dn: 6.1 mm

<>



### SUF 50 HT1-60 SC050

Part no.10.01.01.13996

Flat suction cup (round) f. process- safe handling of smooth or slightly rough surfaces

Size: 50

Suction cup material:

High temp material HT1

Material hardness: 60 °Sh