

Flat suction cup (round)

SUF 40 NBR-55 G1/8-AG

Part no.:10.01.01.14090

<https://www.schmalz.com/10.01.01.14090>

Homepage > Vacuum Technology for Automation > Vacuum Components > Vacuum Suction Cups > Flat suction cup (round) > Suction Cups

SUF > SUF 40 NBR-55 G1/8-AG

Flat suction cup (round) for process safe handling of smooth or slightly rough surfaces



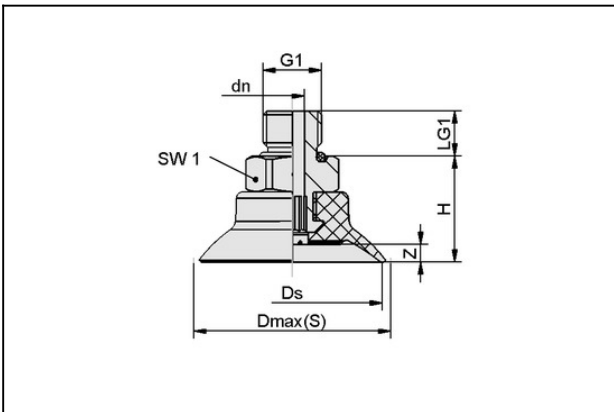
Size: 40

Suction cup material:

Nitrile rubber NBR

Material hardness: 55 °Sh

Design Data



Attribute	Value
Dmax(S)	44 mm
Ds	40 mm
dn	4.1 mm
G1	G1/8"-M
H	23.2 mm
LG1	7.5 mm
SW1	17 mm
Z (Stroke)	4 mm

Technical Data

Contact to Schmalz

J. Schmalz GmbH | Johannes-Schmalz-Straße, 72293 Glatten, Deutschland | +49 7443 2403-102 | customercenter@schmalz.de

Flat suction cup (round)

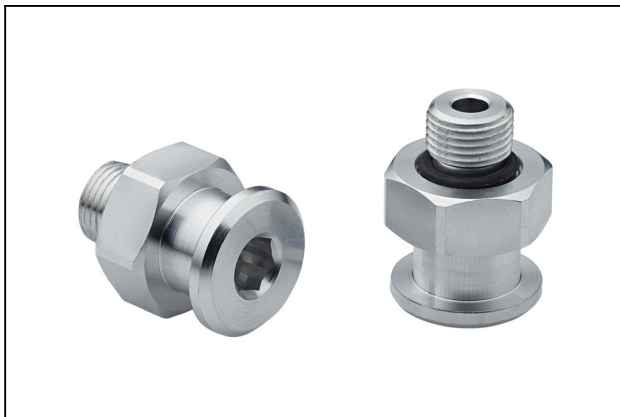
SUF 40 NBR-55 G1/8-AG

Part no.:10.01.01.14090

<https://www.schmalz.com/10.01.01.14090>

Attribute	Value
Size	40
Suction cup material	Nitrile rubber NBR
Material hardness [Shore A]	55 Shore A
Abreißkraft (real)	61.4 N

Spare Parts



SC 050 G1/8-AG

Part no.10.01.06.04250

Connection element for suction cup "SchmalzConnector"

Connection geometry: 050

Vacuum connection: G1/8"-M

Overall length: 24 mm

Fitting length: 7.2 mm

Nominal diameter dn: 4.1 mm



SUF 40 NBR-55 SC050

Part no.10.01.01.13951

Flat suction cup (round) f. process- safe handling of smooth or slightly rough surfaces

Size: 40

Suction cup material:

Nitrile rubber NBR

Material hardness: 55 °Sh