

Flat suction cup (round)

SUF 35 HT1-60 G1/8-AG

Part no.:10.01.01.14106

<https://www.schmalz.com/10.01.01.14106>

Homepage > Vacuum Technology for Automation > Vacuum Components > Vacuum Suction Cups > Flat suction cup (round) > Suction Cups

SUF > SUF 35 HT1-60 G1/8-AG

Flat suction cup (round) for process safe handling of smooth or slightly rough surfaces



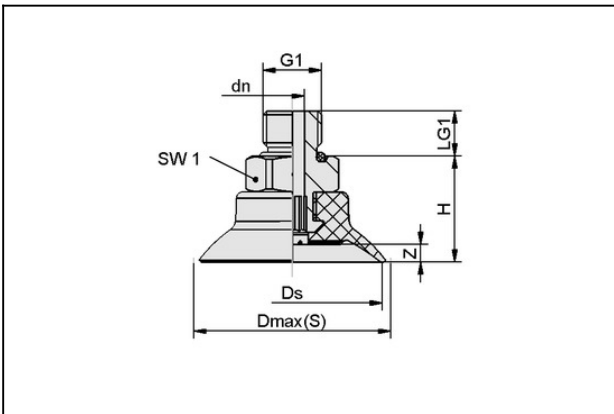
Size: 35

Suction cup material:

High temp material HT1

Material hardness: 60 °Sh

Design Data



Attribute	Value
Dmax(S)	39.2 mm
Ds	35 mm
dn	4.1 mm
G1	G1/8"-M
H	22.1 mm
LG1	7.5 mm
SW1	17 mm
Z (Stroke)	3.5 mm

Technical Data

Contact to Schmalz

J. Schmalz GmbH | Johannes-Schmalz-Straße, 72293 Glatten, Deutschland | +49 7443 2403-102 | customercenter@schmalz.de

Flat suction cup (round)

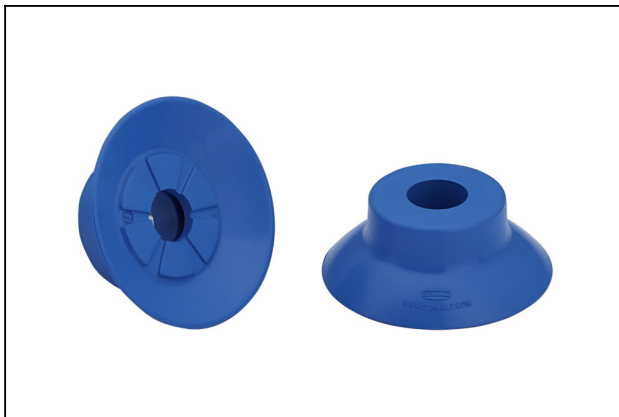
SUF 35 HT1-60 G1/8-AG

Part no.:10.01.01.14106

<https://www.schmalz.com/10.01.01.14106>

Attribute	Value
Size	35
Suction cup material	High temp material HT1
Material hardness [Shore A]	60 Shore A
Abreißkraft (real)	45.8 N

Spare Parts



SUF 35 HT1-60 SC050

Part no.10.01.01.13994

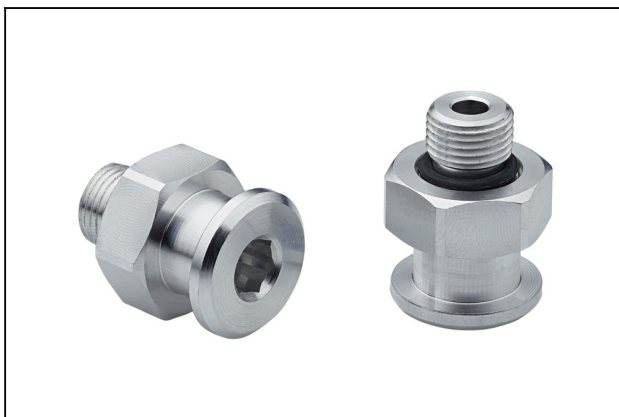
Flat suction cup (round) f. process- safe handling of smooth or slightly rough surfaces

Size: 35

Suction cup material:

High temp material HT1

Material hardness: 60 °Sh



SC 050 G1/8-AG

Part no.10.01.06.04250

Connection element for suction cup "SchmalzConnector"

Connection geometry: 050

Vacuum connection: G1/8"-M

Overall length: 24 mm

Fitting length: 7.2 mm

Nominal diameter dn: 4.1 mm