

## Flat suction cup (round)

SUF 30 HT1-60 G1/8-IG

Part no.:10.01.01.14109

<https://www.schmalz.com/10.01.01.14109>

Homepage > Vacuum Technology for Automation > Vacuum Components > Vacuum Suction Cups > Flat suction cup (round) > Suction Cups

SUF > SUF 30 HT1-60 G1/8-IG

### Flat suction cup (round) for process safe handling of smooth or slightly rough surfaces



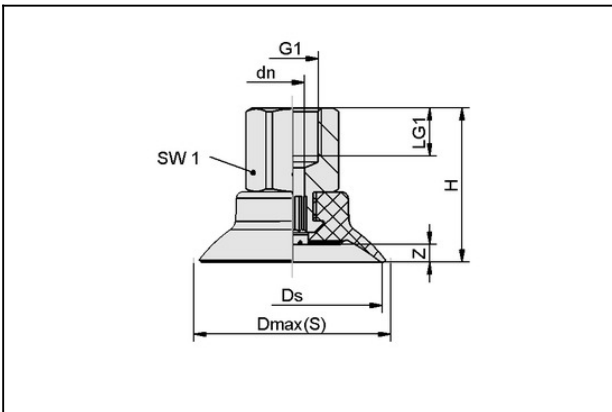
Size: 30

Suction cup material:

High temp material HT1

Material hardness: 60 °Sh

### Design Data



Attribute	Value
Dmax(S)	33.3 mm
Ds	30 mm
dn	4.1 mm
G1	G1/8"-F
H	25.7 mm
LG1	8 mm
SW1	14 mm
Z (Stroke)	3 mm

### Technical Data

#### Contact to Schmalz

J. Schmalz GmbH | Johannes-Schmalz-Straße, 72293 Glatten, Deutschland | +49 7443 2403-102 | [customercenter@schmalz.de](mailto:customercenter@schmalz.de)

## Flat suction cup (round)

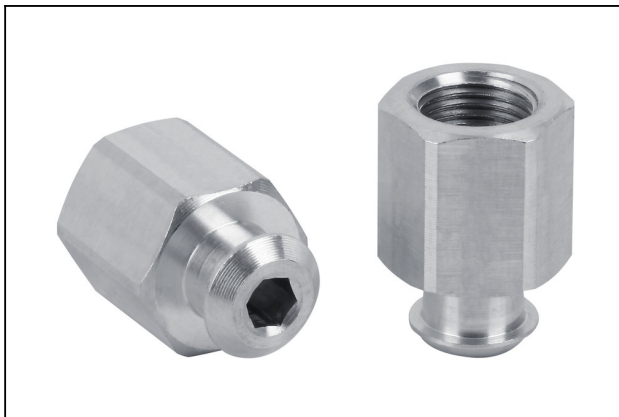
### SUF 30 HT1-60 G1/8-IG

Part no.:10.01.01.14109

<https://www.schmalz.com/10.01.01.14109>

Attribute	Value
Size	30
Suction cup material	High temp material HT1
Material hardness [Shore A]	60 Shore A
Abreißkraft (real)	34.1 N

## Spare Parts



### SC 040 G1/8-IG

Part no.10.01.06.02482

Connection element for suction cup "SchmalzConnector"

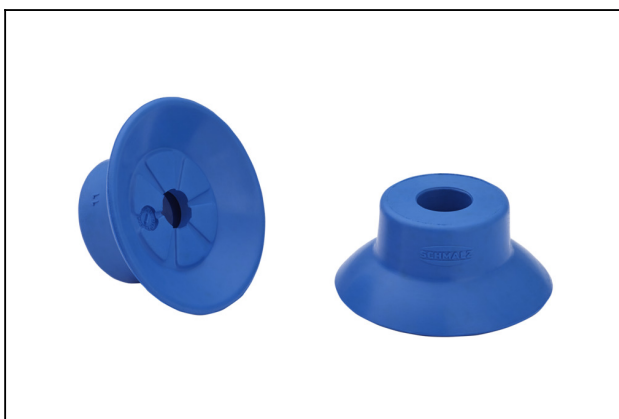
Connection geometry: 040

Vacuum connection: G1/8"-F

Overall length: 20.7 mm

Fitting length: 14 mm

Nominal diameter dn: 4.1 mm



### SUF 30 HT1-60 SC040

Part no.10.01.01.13993

Flat suction cup (round) f. process- safe handling of smooth or slightly rough surfaces

Size: 30

Suction cup material:

High temp material HT1

Material hardness: 60 °Sh