

## Flat suction cup (round)

SUF 30 HT1-60 G1/8-AG

Part no.:10.01.01.14105

<https://www.schmalz.com/10.01.01.14105>

Homepage > Vacuum Technology for Automation > Vacuum Components > Vacuum Suction Cups > Flat suction cup (round) > Suction Cups

SUF > SUF 30 HT1-60 G1/8-AG

### Flat suction cup (round) for process safe handling of smooth or slightly rough surfaces



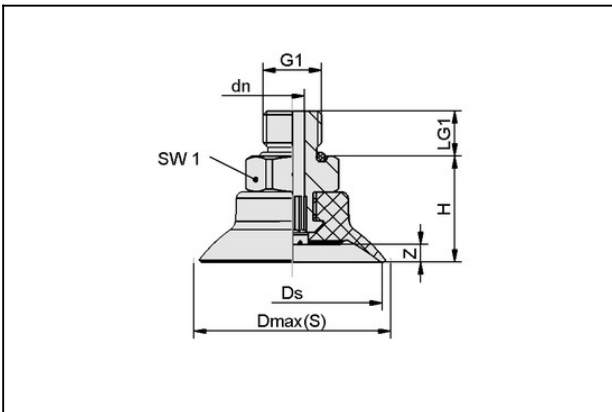
Size: 30

Suction cup material:

High temp material HT1

Material hardness: 60 °Sh

### Design Data



| Attribute  | Value   |
|------------|---------|
| Dmax(S)    | 33.3 mm |
| Ds         | 30 mm   |
| dn         | 4.1 mm  |
| G1         | G1/8"-M |
| H          | 17.7 mm |
| LG1        | 7.5 mm  |
| SW1        | 14 mm   |
| Z (Stroke) | 3 mm    |

### Technical Data

#### Contact to Schmalz

J. Schmalz GmbH | Johannes-Schmalz-Straße, 72293 Glatten, Deutschland | +49 7443 2403-102 | [customercenter@schmalz.de](mailto:customercenter@schmalz.de)

## Flat suction cup (round)

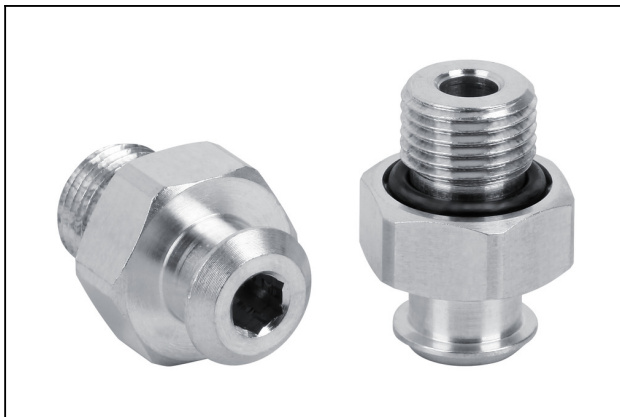
### SUF 30 HT1-60 G1/8-AG

Part no.:10.01.01.14105

<https://www.schmalz.com/10.01.01.14105>

| Attribute                   | Value                  |
|-----------------------------|------------------------|
| Size                        | 30                     |
| Suction cup material        | High temp material HT1 |
| Material hardness [Shore A] | 60 Shore A             |
| Abreißkraft (real)          | 34.1 N                 |

## Spare Parts



### SC 040 G1/8-AG

Part no.10.01.06.02490

Connection element for suction cup "SchmalzConnector"

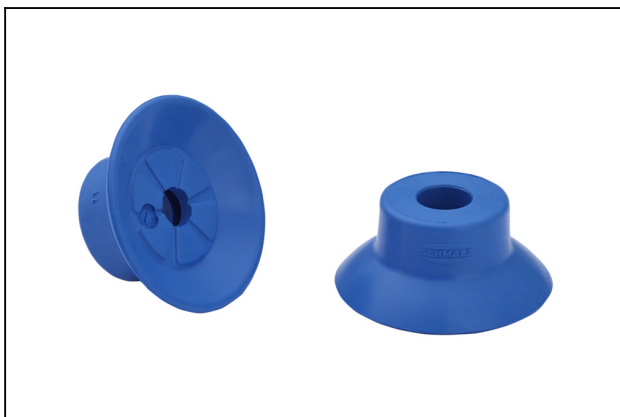
Connection geometry: 040

Vacuum connection: G1/8"-M

Overall length: 20.2 mm

Fitting length: 6 mm

Nominal diameter dn: 4.1 mm



### SUF 30 HT1-60 SC040

Part no.10.01.01.13993

Flat suction cup (round) f. process- safe handling of smooth or slightly rough surfaces

Size: 30

Suction cup material:

High temp material HT1

Material hardness: 60 °Sh