

Flat suction cup (round)

SUF 25 SI-AS-55 G1/8-IG

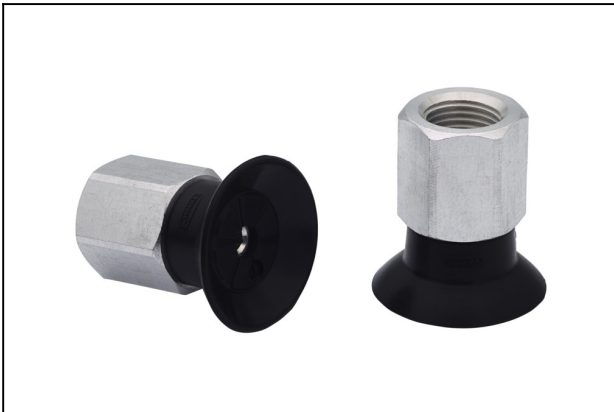
Part no.:10.01.01.14144

<https://www.schmalz.com/10.01.01.14144>

Homepage > Vacuum Technology for Automation > Vacuum Components > Vacuum Suction Cups > Flat suction cup (round) > Suction Cups

SUF > SUF 25 SI-AS-55 G1/8-IG

Flat suction cup (round) for process safe handling of smooth or slightly rough surfaces



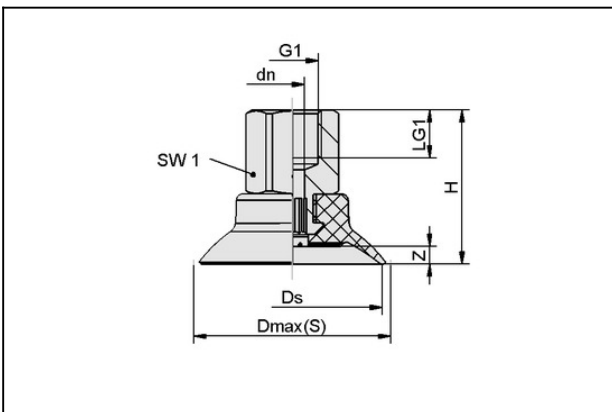
Size: 25

Suction cup material:

Silicone SI-antistatic

Material hardness: 55 °Sh

Design Data



Attribute	Value
Dmax(S)	28.2 mm
Ds	25 mm
dn	4.1 mm
G1	G1/8"-F
H	25.2 mm
LG1	8 mm
SW1	14 mm
Z (Stroke)	2.5 mm

Technical Data

Contact to Schmalz

J. Schmalz GmbH | Johannes-Schmalz-Straße, 72293 Glatten, Deutschland | +49 7443 2403-102 | customercenter@schmalz.de

Flat suction cup (round)

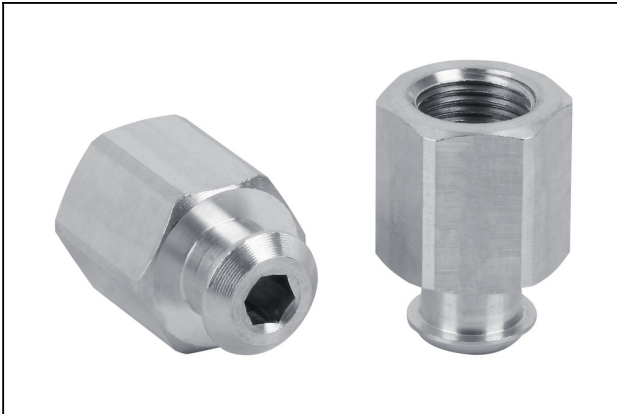
SUF 25 SI-AS-55 G1/8-IG

Part no.:10.01.01.14144

<https://www.schmalz.com/10.01.01.14144>

Attribute	Value
Size	25
Suction cup material	Silicone SI-antistatic
Material hardness [Shore A]	55 Shore A
Abreißkraft (real)	23.4 N

Spare Parts



SC 040 G1/8-IG

Part no.10.01.06.02482

Connection element for suction cup "SchmalzConnector"

Connection geometry: 040

Vacuum connection: G1/8"-F

Overall length: 20.7 mm

Fitting length: 14 mm

Nominal diameter dn: 4.1 mm



SUF 25 SI-AS-55 SC040

Part no.10.01.01.14039

Flat suction cup (round) f. process- safe handling of smooth or slightly rough surfaces

Size: 25

Suction cup material:

Silicone SI-antistatic

Material hardness: 55 °Sh