

## Flat suction cup (round)

### SUF 25 NBR-55 G1/8-AG

Part no.:10.01.01.14116

<https://www.schmalz.com/10.01.01.14116>

Homepage > Vacuum Technology for Automation > Vacuum Components > Vacuum Suction Cups > Flat suction cup (round) > Suction Cups

SUF > SUF 25 NBR-55 G1/8-AG

## Flat suction cup (round) for process safe handling of smooth or slightly rough surfaces



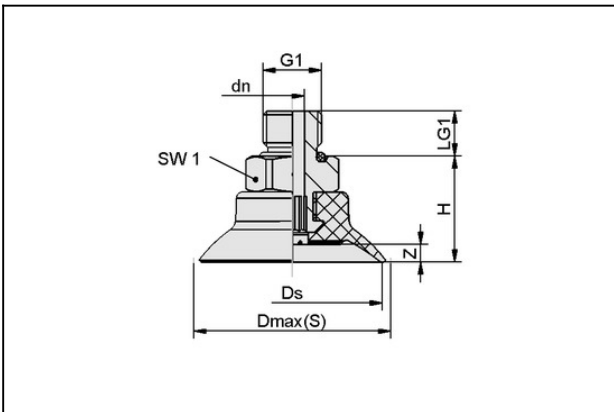
Size: 25

Suction cup material:

Nitrile rubber NBR

Material hardness: 55 °Sh

### Design Data



Attribute	Value
Dmax(S)	28.2 mm
Ds	25 mm
dn	4.1 mm
G1	G1/8"-M
H	17.2 mm
LG1	7.5 mm
SW1	14 mm
Z (Stroke)	2.5 mm

### Technical Data

#### Contact to Schmalz

J. Schmalz GmbH | Johannes-Schmalz-Straße, 72293 Glatten, Deutschland | +49 7443 2403-102 | [customercenter@schmalz.de](mailto:customercenter@schmalz.de)

## Flat suction cup (round)

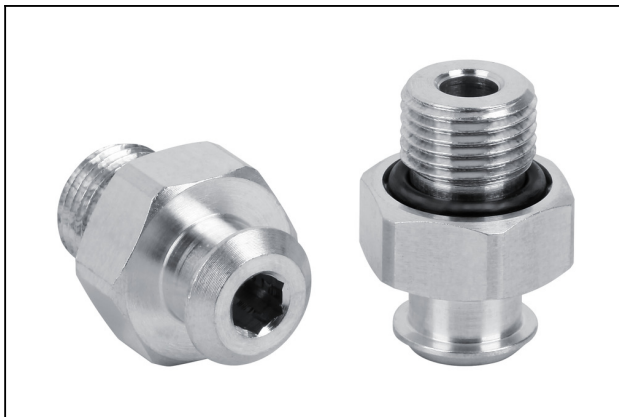
### SUF 25 NBR-55 G1/8-AG

Part no.:10.01.01.14116

<https://www.schmalz.com/10.01.01.14116>

Attribute	Value
Size	25
Suction cup material	Nitrile rubber NBR
Material hardness [Shore A]	55 Shore A
Abreißkraft (real)	23.4 N

## Spare Parts



### SC 040 G1/8-AG

Part no.10.01.06.02490

Connection element for suction cup "SchmalzConnector"

Connection geometry: 040

Vacuum connection: G1/8"-M

Overall length: 20.2 mm

Fitting length: 6 mm

Nominal diameter dn: 4.1 mm



### SUF 25 NBR-55 SC040

Part no.10.01.01.13948

Flat suction cup (round) f. process- safe handling of smooth or slightly rough surfaces

Size: 25

Suction cup material:

Nitrile rubber NBR

Material hardness: 55 °Sh