

Flat suction cup (round)

SUF 20 NBR-55 G1/8-IG

Part no.:10.01.01.14119

<https://www.schmalz.com/10.01.01.14119>

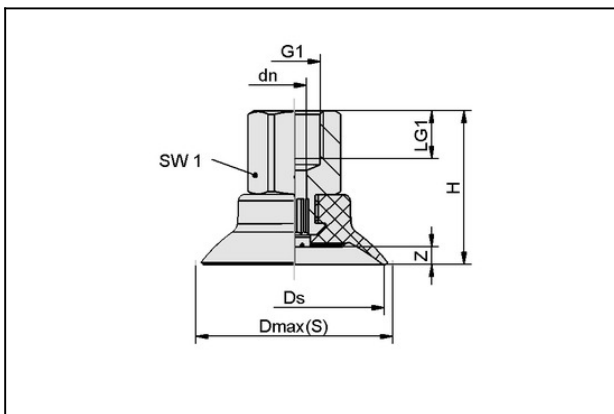
Homepage > Vacuum Technology for Automation > Vacuum Components > Vacuum Suction Cups > SUF 20 NBR-55 G1/8-IG

Flat suction cup (round) for process safe handling of smooth or slightly rough surfaces



Size: 20
 Suction cup material:
 Nitrile rubber NBR
 Material hardness: 55 °Sh

Design Data



Attribute	Value
Dmax(S)	22.8 mm
Ds	20 mm
dn	3.1 mm
G1	G1/8"-F
H	23.5 mm
LG1	8 mm
SW1	14 mm
Z (Stroke)	2 mm

Technical Data

Attribute	Value
Size	20

Contact to Schmalz

J. Schmalz GmbH | Johannes-Schmalz-Straße, 72293 Glatten, Deutschland | +49 7443 2403-102 | customercenter@schmalz.de

Flat suction cup (round)

SUF 20 NBR-55 G1/8-IG

Part no.:10.01.01.14119

<https://www.schmalz.com/10.01.01.14119>

Attribute	Value
Suction cup material	Nitrile rubber NBR
Material hardness [Shore A]	55 Shore A
Abreißkraft (real)	15.2 N

Spare Parts



SC 030 G1/8-IG

Part no.10.01.06.04307

Connection element for suction cup "SchmalzConnector"

Connection geometry: 030

Vacuum connection: G1/8"-F

Overall length: 19.8 mm

Fitting length: 14 mm

Nominal diameter dn: 3.1 mm

<>



SUF 20 NBR-55 SC030

Part no.10.01.01.13947

Flat suction cup (round) f. process- safe handling of smooth or slightly rough surfaces

Size: 20

Suction cup material:

Nitrile rubber NBR

Material hardness: 55 °Sh