

Flat suction cup (round)

SUF 18 SI-AS-55 G1/8-AG

Part no.:10.01.01.14138

<https://www.schmalz.com/10.01.01.14138>

Homepage > Vacuum Technology for Automation > Vacuum Components > Vacuum Suction Cups > Flat suction cup (round) > Suction Cups

SUF > SUF 18 SI-AS-55 G1/8-AG

Flat suction cup (round) for process safe handling of smooth or slightly rough surfaces



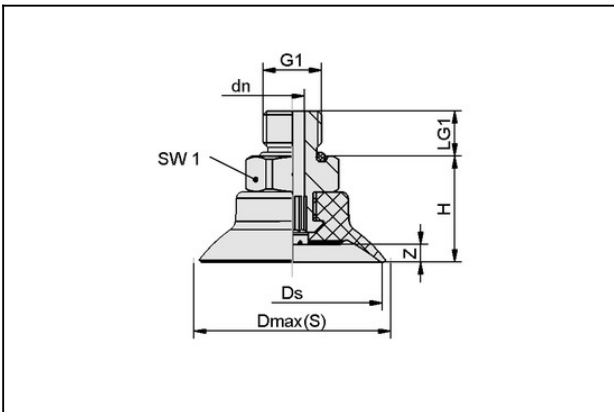
Size: 18

Suction cup material:

Silicone SI-antistatic

Material hardness: 55 °Sh

Design Data



Attribute	Value
Dmax(S)	20.6 mm
Ds	18 mm
dn	3.1 mm
G1	G1/8"-M
H	15.3 mm
LG1	7.5 mm
SW1	14 mm
Z (Stroke)	1.8 mm

Technical Data

Contact to Schmalz

J. Schmalz GmbH | Johannes-Schmalz-Straße, 72293 Glatten, Deutschland | +49 7443 2403-102 | customercenter@schmalz.de

Flat suction cup (round)

SUF 18 SI-AS-55 G1/8-AG

Part no.:10.01.01.14138

<https://www.schmalz.com/10.01.01.14138>

Attribute	Value
Size	18
Suction cup material	Silicone SI-antistatic
Material hardness [Shore A]	55 Shore A
Abreißkraft (real)	12.5 N

Spare Parts



SC 030 G1/8-AG

Part no.10.01.06.04288

Connection element for suction cup "SchmalzConnector"

Connection geometry: 030

Vacuum connection: G1/8"-M

Overall length: 19.3 mm

Fitting length: 6 mm

Nominal diameter dn: 3.1 mm



SUF 18 SI-AS-55 SC030

Part no.10.01.01.14035

Flat suction cup (round) f. process- safe handling of smooth or slightly rough surfaces

Size: 18

Suction cup material:

Silicone SI-antistatic

Material hardness: 55 °Sh