

Flat suction cup (round)

SUF 8 HT1-60 M5-IG

Part no.:10.01.01.14235

<https://www.schmalz.com/10.01.01.14235>

Homepage > Vacuum Technology for Automation > Vacuum Components > Vacuum Suction Cups > Flat suction cup (round) > Suction Cups

SUF > SUF 8 HT1-60 M5-IG

Flat suction cup (round) for process safe handling of smooth or slightly rough surfaces



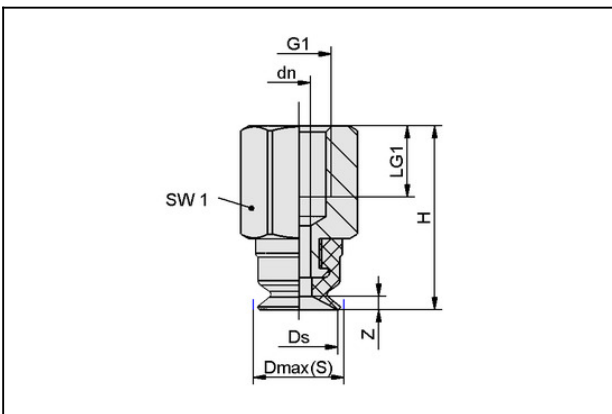
Size: 8

Suction cup material:

High temp material HT1

Material hardness: 60 °Sh

Design Data



Attribute	Value
Dmax(S)	8.4 mm
Ds	8 mm
dn	1.8 mm
G1	M5-F
H	14.2 mm
LG1	5.5 mm
SW1	8 mm
Z (Stroke)	0.8 mm

Technical Data

Contact to Schmalz

J. Schmalz GmbH | Johannes-Schmalz-Straße, 72293 Glatten, Deutschland | +49 7443 2403-102 | customercenter@schmalz.de

Flat suction cup (round)

SUF 8 HT1-60 M5-IG

Part no.:10.01.01.14235

<https://www.schmalz.com/10.01.01.14235>

Attribute	Value
Size	8
Suction cup material	High temp material HT1
Material hardness [Shore A]	60 Shore A
Abreißkraft (real)	2.4 N

Spare Parts



SC 020 M5-IG

Part no.10.01.06.04306

Connection element for suction cup "SchmalzConnector"

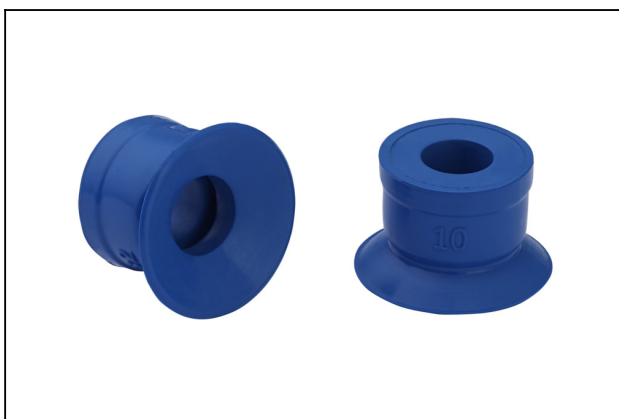
Connection geometry: 020

Vacuum connection: M5-F

Overall length: 11.7 mm

Fitting length: 8.7 mm

Nominal diameter dn: 1.8 mm



SUF 8 HT1-60 SC020

Part no.10.01.01.13986

Flat suction cup (round) f. process- safe handling of smooth or slightly rough surfaces

Size: 8

Suction cup material:

High temp material HT1

Material hardness: 60 °Sh