

## Flat suction cup (round)

### SUF 8 HT1-60 M5-AG

Part no.:10.01.01.14232

<https://www.schmalz.com/10.01.01.14232>

Homepage > Vacuum Technology for Automation > Vacuum Components > Vacuum Suction Cups > Flat suction cup (round) > Suction Cups

SUF > SUF 8 HT1-60 M5-AG

## Flat suction cup (round) for process safe handling of smooth or slightly rough surfaces



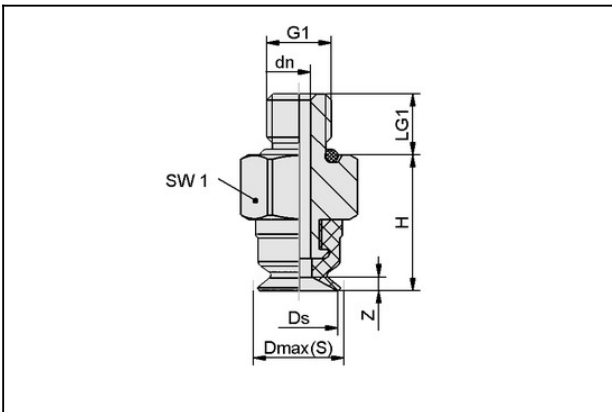
Size: 8

Suction cup material:

High temp material HT1

Material hardness: 60 °Sh

## Design Data



| Attribute  | Value   |
|------------|---------|
| Dmax(S)    | 8.4 mm  |
| Ds         | 8 mm    |
| dn         | 1.8 mm  |
| G1         | M5-M    |
| H          | 10.5 mm |
| LG1        | 4.7 mm  |
| SW1        | 8 mm    |
| Z (Stroke) | 0.8 mm  |

## Technical Data

### Contact to Schmalz

J. Schmalz GmbH | Johannes-Schmalz-Straße, 72293 Glatten, Deutschland | +49 7443 2403-102 | [customercenter@schmalz.de](mailto:customercenter@schmalz.de)

## Flat suction cup (round)

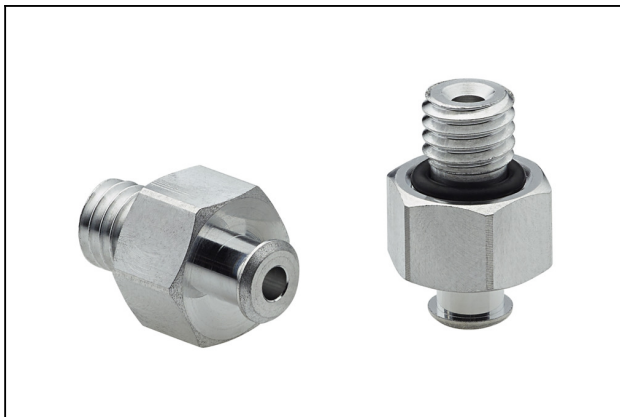
### SUF 8 HT1-60 M5-AG

Part no.:10.01.01.14232

<https://www.schmalz.com/10.01.01.14232>

| Attribute                   | Value                  |
|-----------------------------|------------------------|
| Size                        | 8                      |
| Suction cup material        | High temp material HT1 |
| Material hardness [Shore A] | 60 Shore A             |
| Abreißkraft (real)          | 2.4 N                  |

## Spare Parts



### SC 020 M5-AG

Part no.10.01.06.04273

Connection element for suction cup "SchmalzConnector"

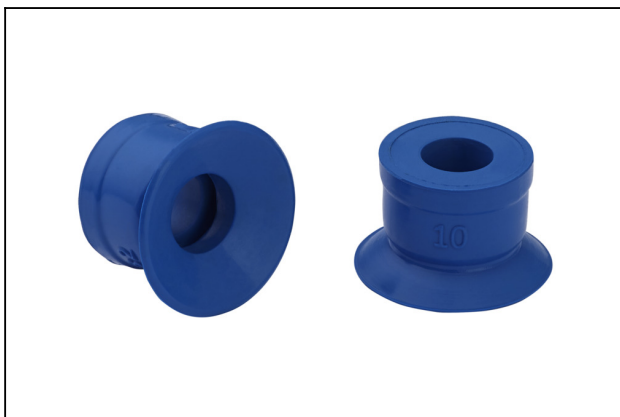
Connection geometry: 020

Vacuum connection: M5-M

Overall length: 12.7 mm

Fitting length: 5 mm

Nominal diameter dn: 1.8 mm



### SUF 8 HT1-60 SC020

Part no.10.01.01.13986

Flat suction cup (round) f. process- safe handling of smooth or slightly rough surfaces

Size: 8

Suction cup material:

High temp material HT1

Material hardness: 60 °Sh