

Flat suction cup (round)

SUF 6 NBR-55 M5-IG

Part no.:10.01.01.14222

<https://www.schmalz.com/10.01.01.14222>

Homepage > Vacuum Technology for Automation > Vacuum Components > Vacuum Suction Cups > Flat suction cup (round) > Suction Cups

SUF > SUF 6 NBR-55 M5-IG

Flat suction cup (round) for process safe handling of smooth or slightly rough surfaces



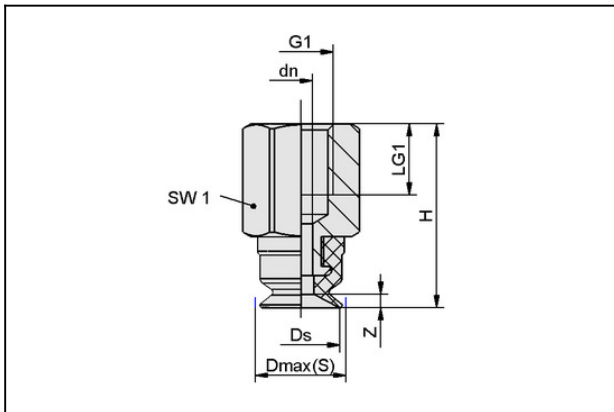
Size: 6

Suction cup material:

Nitrile rubber NBR

Material hardness: 55 °Sh

Design Data



Attribute	Value
Dmax(S)	6.8 mm
Ds	6 mm
dn	1.8 mm
G1	M5-F
H	14.2 mm
LG1	5.5 mm
SW1	8 mm
Z (Stroke)	0.6 mm

Technical Data

Contact to Schmalz

J. Schmalz GmbH | Johannes-Schmalz-Straße, 72293 Glatten, Deutschland | +49 7443 2403-102 | customercenter@schmalz.de

Flat suction cup (round)

SUF 6 NBR-55 M5-IG

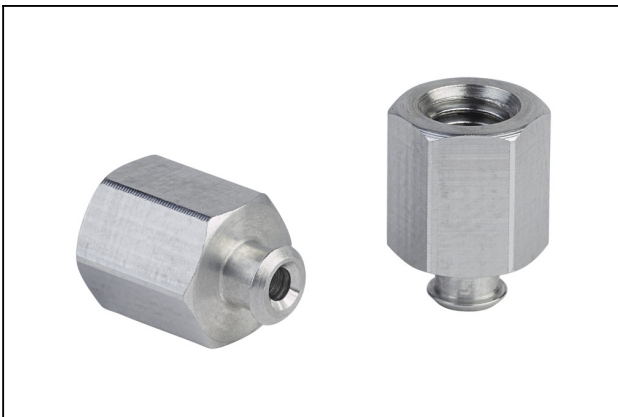
Part no.:10.01.01.14222

<https://www.schmalz.com/10.01.01.14222>



Attribute	Value
Size	6
Suction cup material	Nitrile rubber NBR
Material hardness [Shore A]	55 Shore A
Abreißkraft (real)	1.4 N

Spare Parts



SC 020 M5-IG

Part no.10.01.06.04306

Connection element for suction cup "SchmalzConnector"

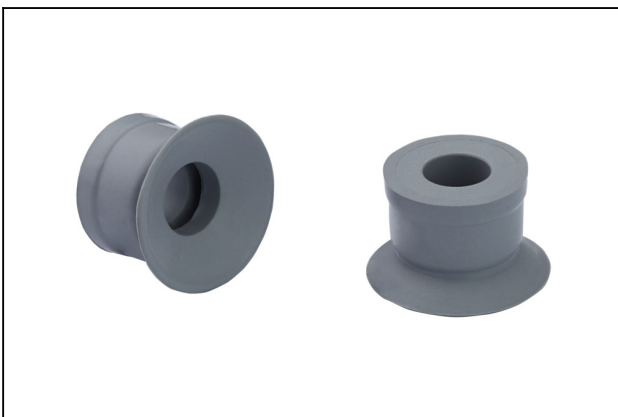
Connection geometry: 020

Vacuum connection: M5-F

Overall length: 11.7 mm

Fitting length: 8.7 mm

Nominal diameter dn: 1.8 mm



SUF 6 NBR-55 SC020

Part no.10.01.01.13941

Flat suction cup (round) f. process- safe handling of smooth or slightly rough surfaces

Size: 6

Suction cup material:

Nitrile rubber NBR

Material hardness: 55 °Sh