

Flat suction cup (round)

<https://www.schmalz.com/10.01.01.00277>



PFYN 3.5 NBR-55 M3-AG

Part no.: 10.01.01.00277

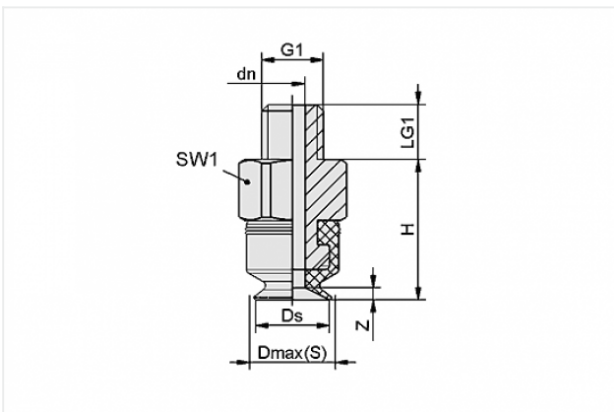
Homepage > Vacuum Technology for Automation > Vacuum Components > Vacuum Suction Cups > Flat Suction Cups (Round) > Flat Suction Cups
PFYN > PFYN 3.5 NBR-55 M3-AG

Flat suction cup (round) for smooth or slightly rough surfaces



Size: 3.5
Suction cup material:
Nitrile rubber NBR
Material hardness: 55 °Sh
Nipple material: Aluminium
Vacuum connection: M3-M

Design Data



Attribute	Value
-----------	-------

dn	1 mm
Dmax(S)	4 mm
Ds	3.5 mm
G1	M3-M
H	6 mm
LG1	3 mm
SW1	5 mm
Z	0.5 mm

Technical Data

Contact to Schmalz

J. Schmalz GmbH | Johannes-Schmalz-Straße, 72293 Glatten, Deutschland | +49 7443 2403-102 |
customercenter@schmalz.de

Attribute	Value
Suction force	0.42 N
Volume	0.002 cm ³
Curve radius (min) (convex)	7.5 mm
Internal hose diameter (recom.)	2 mm
Size	3.5
Number of folds	0
Suction cup material	Nitrile rubber NBR
Material hardness	55 °Sh
Weight	1 g
Product family	PFYN

Note:

- Suction force: The specified suction forces are theoretical values at a vacuum of -0.6 bar and with a smooth, dry workpiece surface - they do not include a safety factor
- Hose diameter: The recommended hose diameter refers to a hose length of approx. 2 m

Spare Parts



SA-NIP N003 M3-AG DN100

Part no. 10.01.01.00316

Suction cup connection nipple

Nipple: N 003

Thread G1: M3-M

Overall length: 7.5 mm

Fitting length: 2 mm

Nominal size: 1.00 mm

Material: Aluminium



PFG 3.5 NBR-55 N003

Part no. 10.01.01.00004

Flat suction cup (round) for smooth or slightly rough surfaces

Size: 3.5

Suction cup material:

Nitrile rubber NBR

Material hardness: 55 °Sh