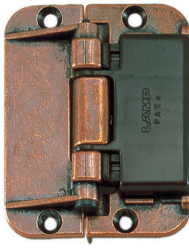


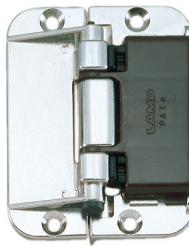
CENTER HINGE FOR FOLDING DOORS



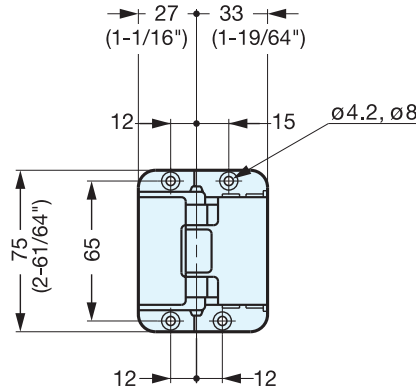
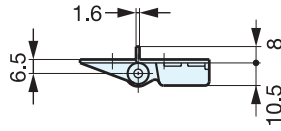
CH-75



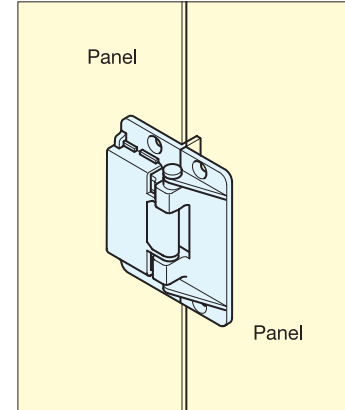
CH-75/GB



CH-75/NI



- 180° opening.
- Snaps in at open and closed position, ideal for folding doors.



Installation

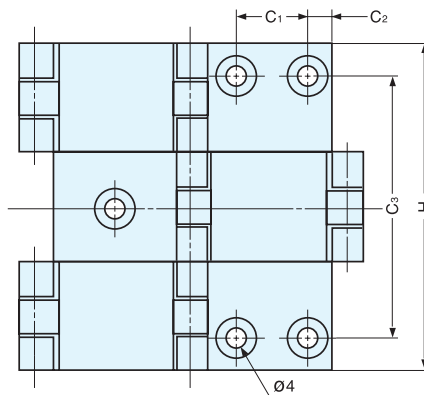
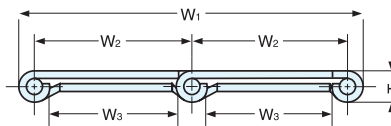
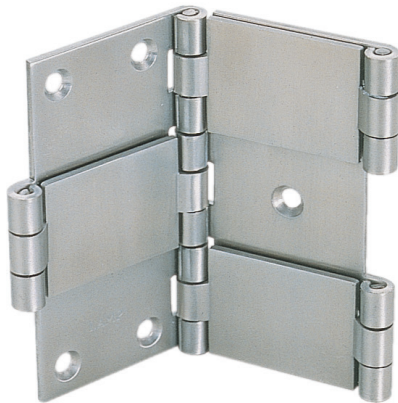
Item No.		Weight (g)	Box (pcs)	Carton (pcs)
CH-75/GB	CH-75/NI	100	42	168

Material	Finish
Zinc Alloy	Bronze (GB)
Polyacetal	Nickel (NI)
Polyamide	

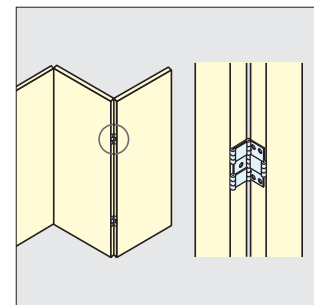
DOUBLE ACTION HINGE



HG-BH



- Opens 180° in both left and right direction.
- Door Size: Max. W450 × H700 mm (W17-3/4" × H27-9/16")
- Door Weight: Max. 2.6 kg/pair (5.7 lbs/pair).



Installation

Material	Finish
304 Stainless Steel	Satin

Item No.	W ₁	W ₂	W ₃	T	H	C ₁	C ₂	C ₃	Weight (g)	Box (pcs)	Carton (pcs)
HG-BH60	64 (2-1/2")	29.0 (1-1/8")	7/8	5.5	60 (2-23/64")	13.5 (17/32")	4.8	47	65	20	260
HG-BH70	78 (3-1/16")	35.0 (1-3/8")	1-1/16	7.5	70 (2-3/4")	13.5 (17/32")	6.8	57	130	10	180
HG-BH80	94 (3-11/16")	43.2 (1-11/16")	1-3/8		80 (3-5/32")	22.0 (55/64")	6.5	66	175		120