

Suction cup connection nipple

SA-NIP N002 M3-AG DN70

<https://www.schmalz.com/10.01.01.00314>



Part no.: 10.01.01.00314

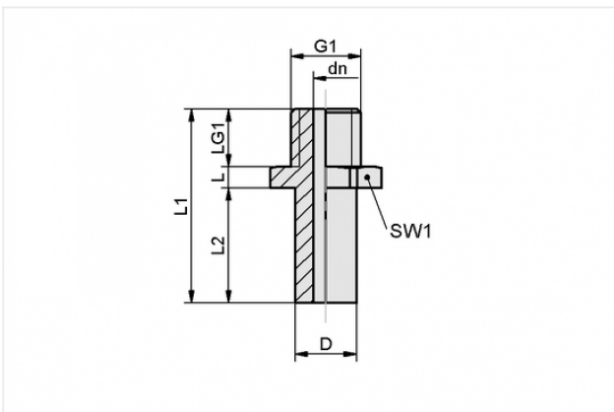
Homepage > Vacuum Technology for Automation > Vacuum Components > Vacuum Suction Cups > Flat Suction Cups (Round) > SA-NIP N002 M3-AG DN70

Suction cup connection nipple



Nipple: N 002
Thread G1: M3-M
Overall length: 6.5 mm
Fitting length: 2 mm
Nominal size: 0.70 mm
Material: Aluminium

Design Data



Attribute	Value
D	1.5 mm
dn	0.7 mm
G1	M3-M
L	2 mm
L1	6.5 mm
L2	1.5 mm
LG1	3 mm
SW1	5 mm

Technical Data

Contact to Schmalz

J. Schmalz GmbH | Johannes-Schmalz-Straße, 72293 Glatten, Deutschland | +49 7443 2403-102 | customercenter@schmalz.de

Attribute	Value
Nipple	N 002
Material	Aluminium
Weight	1 g

Accessories



PFG 1.5 NBR-55 N002

Part no. 10.01.01.00002

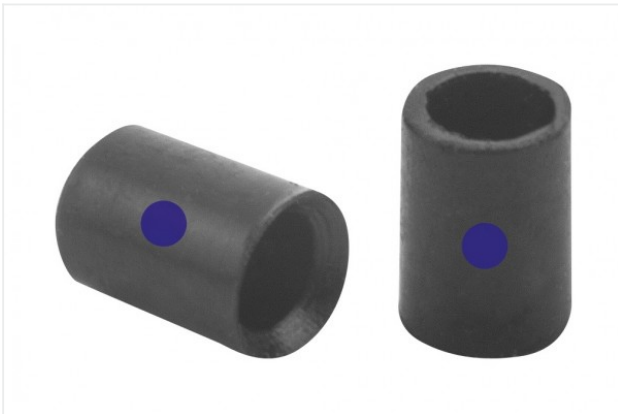
Flat suction cup (round) for smooth or slightly rough surfaces

Size: 1.5

Suction cup material:

Nitrile rubber NBR

Material hardness: 55 °Sh



PFG 1.5 NBR-AS-55 N002

Part no. 10.01.01.10336

Flat suction cup (round) for smooth or slightly rough surfaces

Size: 1.5

Suction cup material:

Nitrile rubber NBR-antistat

Material hardness: 55 °Sh



PFG 1.5 SI-55 N002

Part no. 10.01.01.00022

Flat suction cup (round) for smooth or slightly rough surfaces

Size: 1.5

Suction cup material: Silicone SI

Material hardness: 55 °Sh

Material characteristics:

FDA-compatible