

MINI-DOOR CLOSER (W/DAMPER)



YMC

LID SUPPORTS

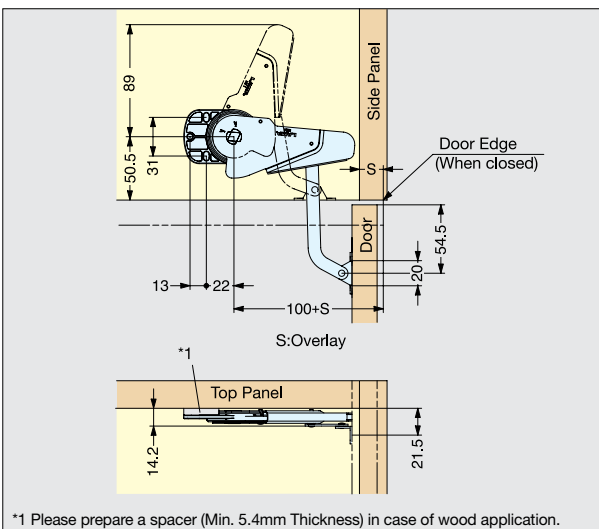
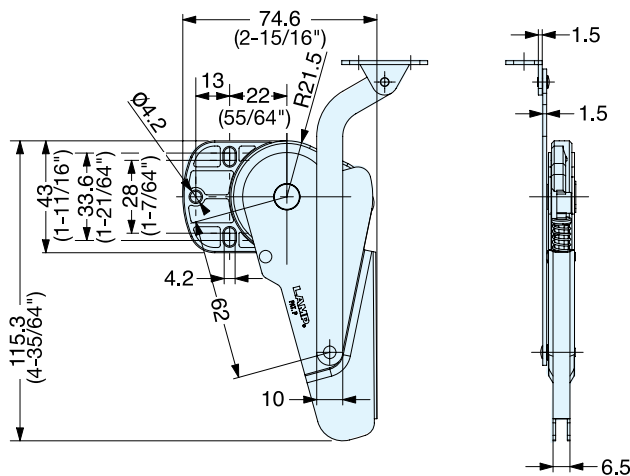
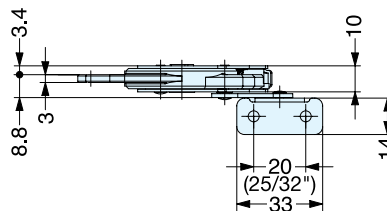
MINI-DOOR CLOSERS (W/DAMPER)



- Low profile door closer for small horizontally swinging doors.
- Equipped with dampening mechanism for soft close.
- Stay will hold the door in 90° open position.
- Push the door to close. Once pushed, stay will gently pull the door and close.
- Thin body designed to be installed on top panel.
- Durable stainless steel construction.
- Handed: Specific left and right hand mounting.
- Recommended screws: M4

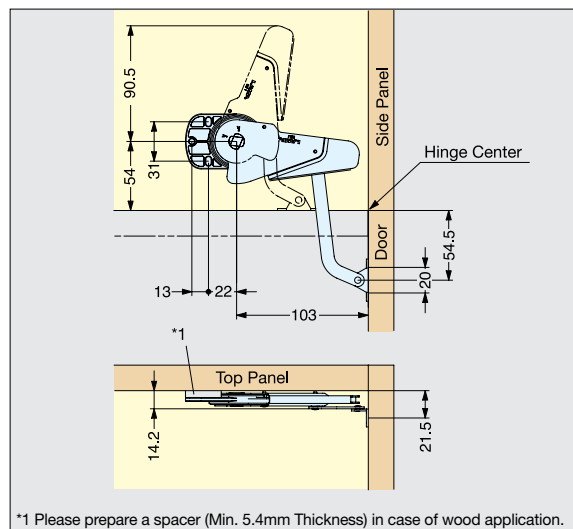


YMC-R shown



*1 Please prepare a spacer (Min. 5.4mm Thickness) in case of wood application.

Installation (With Concealed Hinge)



*1 Please prepare a spacer (Min. 5.4mm Thickness) in case of wood application.

Installation (With Piano/Butt Hinge)

Item No.		Opening Angle	Door Weight (kg)	Door Width (mm)	Weight (g)	Box (pcs)	Carton (pcs)
Left	Right						
YMC-L	YMC-R	0°~ 90°	0.3~0.7 (0.66~1.54 lbs)	Max. 300 (11-13/16")	103	50	500

Material	Finish/Color
PBT, 304 Stainless Steel	Grey/Plain