

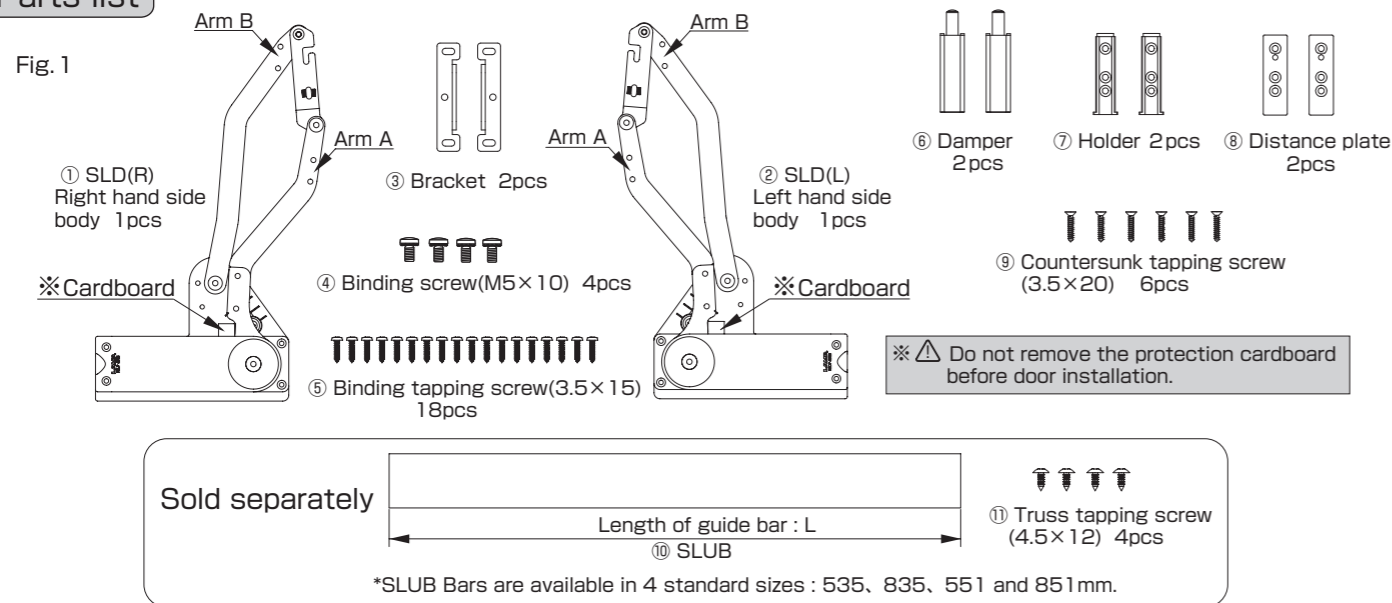
# LAMP SLD SWING LIFT DOWN MECHANISM PAT

For proper installation and operation, we recommend that you read and follow these instructions carefully.

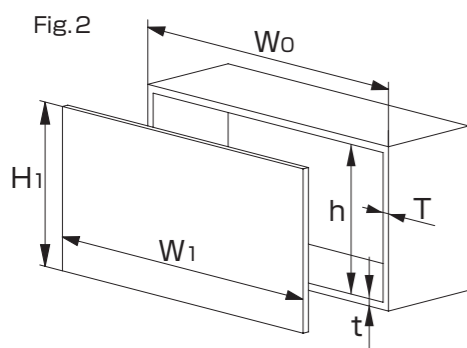
- Sugatsune cannot accept any claim for damages or injuries caused by improper use of this swing lift-up stay. Please refer to the "Model Selection" section below for the proper range of use.
- Sugatsune's liability is limited to the repair or replacement of a defective product. It shall in no way extend to the assembly as a whole.
- The utmost care was taken during the production of the SLD. Should you however notice any defect, please notify your local dealer or Sugatsune (export@sugatsune.co.jp).
- The warranty period extends to one year from the shipping date.
- For improvement reasons, the content of this set may be changed without prior notice. We recommend that you check carefully the set content against the part list shown below and report any discrepancy to your local dealer before installation.
- Operating temperature is 5~35°C. Function may vary depending on the temperature.

- ⚠ Do not force the door open past its fully opened position.
- ⚠ Do not use in excessively hot environment such as to hide an oven.
- ⚠ Do not insert your hand or finger between the arms as this may lead to sever injury.
- ⚠ Never attempt to open or disassemble the mechanism as this may lead to injury.

## Parts list



## Model selection



Applicable door weight:

SLD-3	3.0~4.0 kg
SLD-4	4.0~5.0 kg
SLD-5	5.0~6.0 kg

Door size:

Width (W1)	600, 900mm
Height (H1)	360~400mm

Select the SLD type according to the weight of the door (including the handle).

SLUB bar needs to be cut depending on the cabinet width  $W_0$  and side panel thickness  $T$ .  
Bar length  $L$  will depend on whether it is installed on Arm A or Arm B (see Fig. 1).

Arm A installation:  $L = W_0 - (T \times 2) - 35$   
Arm B installation:  $L = W_0 - (T \times 2) - 19$

$W_0$  = Cabinet width  
 $T$  = Cabinet side panel thickness  
 $h$  = Cabinet inside height  
 $t$  = Cabinet bottom board thickness  
 $W_1$  = Door width  
 $H_1$  = Door height

**SUGATSUNE KOGYO CO.,LTD.**  
Phone: +81 3 3866 2260  
Fax: +81 3 3866 4447  
E-mail: export@sugatsune.co.jp  
Website: www.sugatsune-intl.com

**SUGATSUNE KOGYO (UK) LTD.**  
Phone: +44 118 9272 955  
Fax: +44 118 9272 871  
E-mail: sales@sugatsune.co.uk  
Website: www.sugatsune.co.uk

**SUGATSUNE AMERICA, INC.**  
Phone: +1 310 329 6373  
Fax: +1 310 329 0819  
E-mail: sales@sugatsune.com  
Website: www.sugatsune.com

**SUGATSUNE SHANGHAI CO., LTD.**  
Phone: +86 21 3632 1858  
Fax: +86 21 3632 1868  
E-mail: lamp@sugatsune.com.cn  
Website: www.sugatsune.com.cn

ISO9001(Japan offices only)and ISO14001(Chiba production division and Logistic center only)certified.

2011.08 PRINTED IN JAPAN 0572-1

## Dimensions

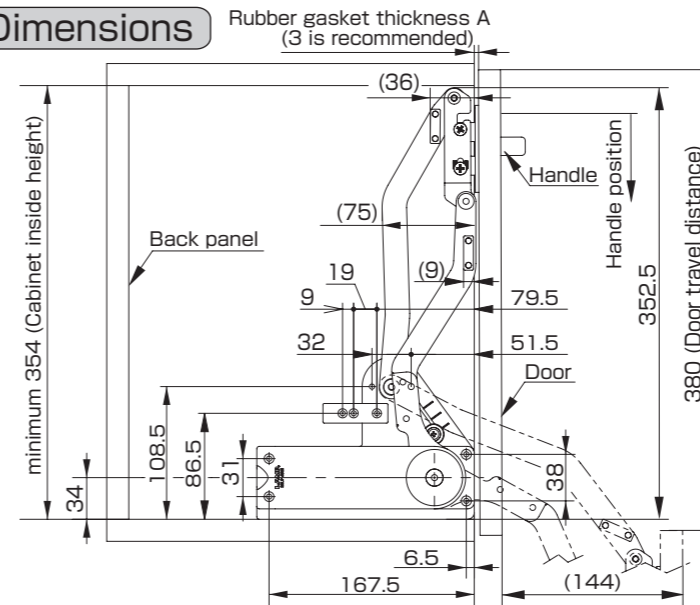


Fig. 3-1. Dimensions (SLD main body)

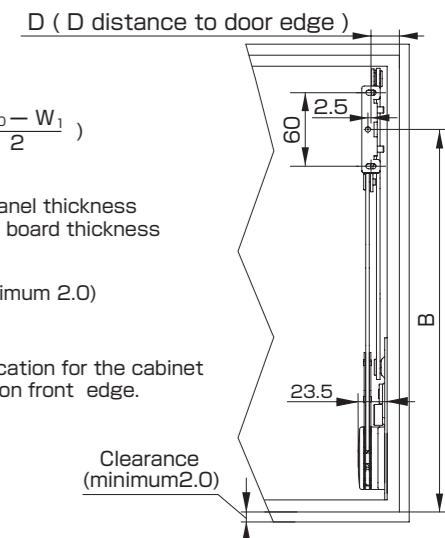


Fig. 3-2. Dimensions (Bracket)

$$B = 302 + t - C$$

$$D = 13 + T - \left( \frac{W_0 - W_1}{2} \right)$$

$W_0$  = Cabinet width  
 $T$  = Cabinet side panel thickness  
 $t$  = Cabinet bottom board thickness  
 $W_1$  = Door width  
 $C$  = Clearance (minimum 2.0)

\*The drawing shows the application for the cabinet with 3mm thick seal gasket on front edge.

## Installation

### 1. Body installation:

- (1) Line up SLD body ① and ② with the bottom and front of the cabinet and secure with screws ⑤ (Fig. 3-1 and Fig. 4).

※Do not remove the protection cardboard before door installation.

### 2. Door installation:

- (1) Hang the door through the long hole using a screw ④ in the top bracket ③ hole and tighten the screw.

- (2) Secure assembly with a screw ④ through the bottom hole.

Remark: when installing the handle on the door, we recommend that it is installed in a position lower than bracket ③ as shown on Fig. 3-1.

- (3) Open the door and remove the protection cardboard on both sides.(Fig.6)

### 3. Bar installation:

- (1) Cut the bar to the necessary length as per instructions in the "Model Selection" section.

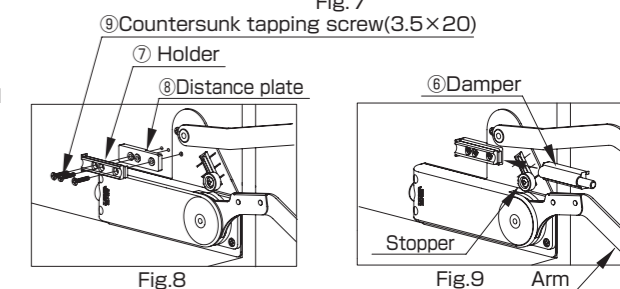
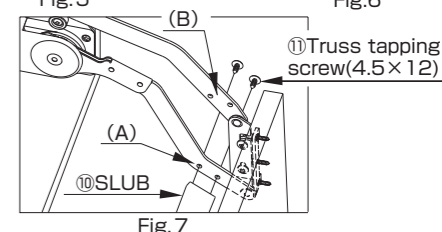
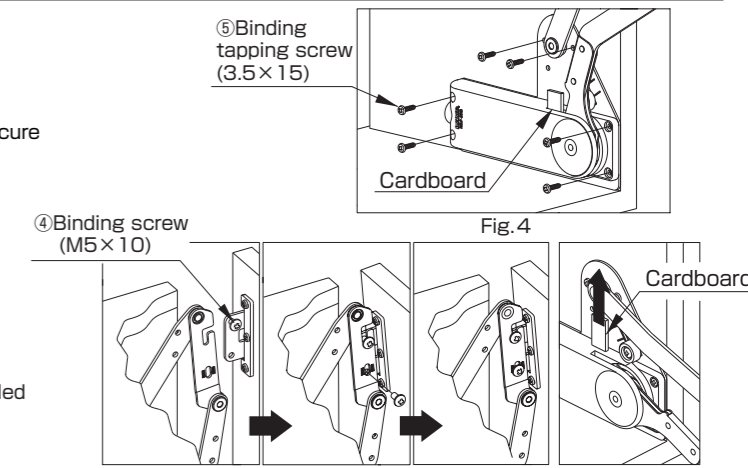
- (2) Install the bar to either arm A or arm B depending on the dimensions selected above.

Arm A installation is recommended for wooden doors as bar is not visible in the open position.  
Arm B installation is recommended for glass door as bar is less visible in the closed position.

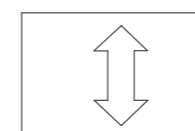
### 4. Damper installation:

- (1) Line the distance plate ⑧ and the holder ⑦ with the holes for the damper (Fig.8) and secure them with screws ⑨.

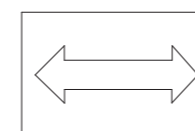
- (2) Slide the damper ⑥ into the holder from the front side.



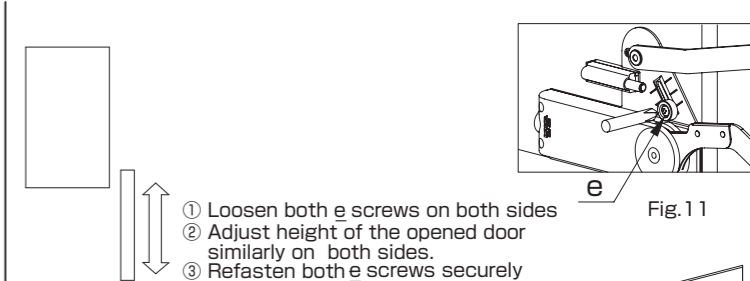
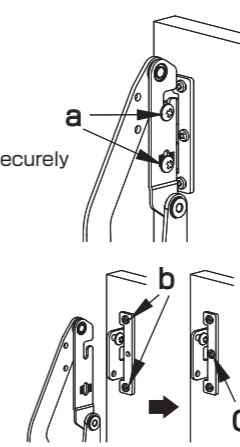
## Adjustment



- ① Loosen both a screws
- ② Adjust door height
- ③ Refasten both a screws securely



- ① Remove the door
- ② Loosen both screws (b)
- ③ Adjust bracket ③ position horizontally and fasten screws (b)
- ④ Hang the door to confirm position and then secure assembly with screw (c)



- ① Loosen both e screws on both sides
- ② Adjust height of the opened door similarly on both sides.
- ③ Refasten both e screws securely

Spring strength adjustment:

Turn the screw at the back of stay body to adjust the spring strength.

⚠ Spring strength should be adjusted similarly on both units.  
⚠ Do not set the spring strength too high as the door may open violently and damage the system.

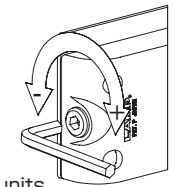


Fig. 12