

SELF CLOSE STAY



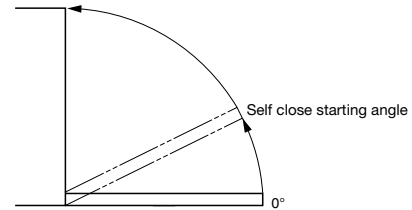
HDS-10S

LID SUPPORTS
SELF CLOSE STAYS



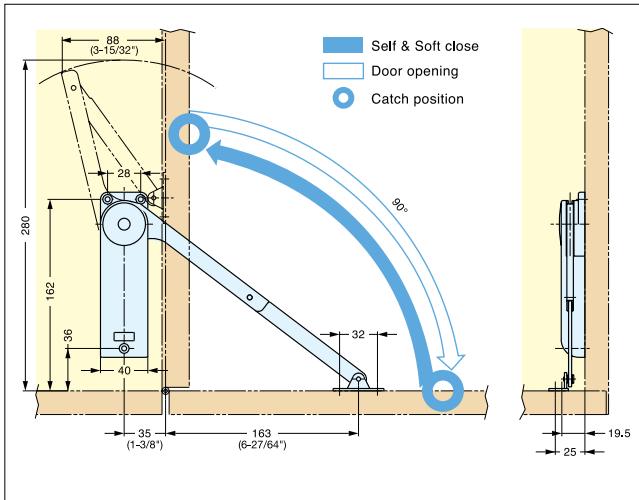
- For DOWNWARD-OPENING FLAP DOOR with piano, butt or drop hinges
- When pushed to close, HDS-10S is designed to self close and soft close
- Used in pairs
- Torque Calculation:
 Torque = Door Height × 1/2 × Door Weight
 K-Type: 60~95 kgf.cm (52.2~82.6 lbs. Inch)/ pair
 M-Type: 95~130 kgf.cm (82.6~113.0 lbs. Inch)/ pair
 H-Type: 110~160 kgf.cm (95.7~139.0 lbs. Inch)/ pair
 S-Type: 140~180 kgf.cm (121.7~156.5 lbs. Inch)/ pair

Self close starting angle

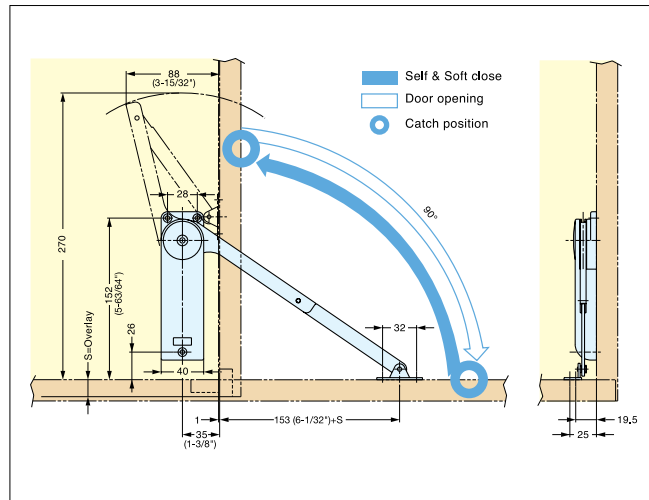


Type	Self close starting angle
K	5°~35°
M	5°~20°
H	
S	5°~15°

With Piano/Butt Hinge



With Drop Hinge (SDH-001)



Item No.	Type	Torque per 2 pieces (kgf·cm)
HDS-10S-K-BL	Light	60~95 (52.2~ 82.6 lbs-in)
HDS-10S-K-WT		
HDS-10S-M-BL	Medium	95~130 (82.6~113.0 lbs-in)
HDS-10S-M-WT		
HDS-10S-H-BL	Heavy	110~160 (95.7~139.0 lbs-in)
HDS-10S-H-WT		
HDS-10S-S-BL	Super Heavy	140~180 (121.7~156.5 lbs-in)
HDS-10S-S-WT		

Item No.	
Left	Right
HDS-10S-KL/BL	HDS-10S-KR/BL
HDS-10S-KL/WT	HDS-10S-KR/WT
HDS-10S-ML/BL	HDS-10S-MR/BL

No.	Part Name	Material	Finish
①	Body	ABS plastic	Black/White
②	Arm	Steel	Nickel
③	Mounting Plate		