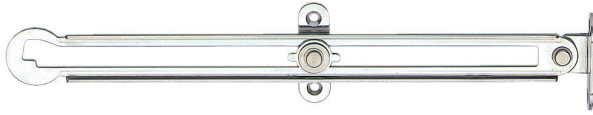


LID STAY

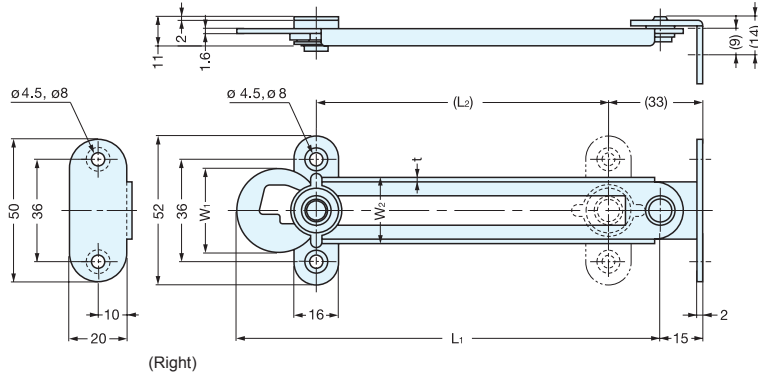
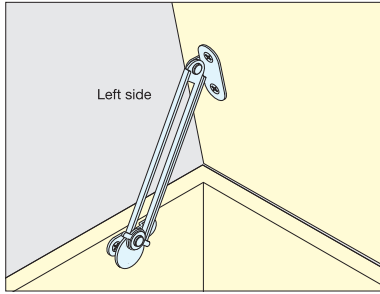


S-91, 92, 93



(Right)

- Automatically holds lid in opened position.
- Lift up lid to release.
- Can be installed individually or in pairs.
- Handed : Specific left and right hand mounting.



Material	Finish
304 Stainless Steel	Polished

Item No.		L ₁	(L ₂)	W ₁	W ₂	t	Load Capacity (kg)	Weight (g)	Box (pcs)	Carton (pcs)
Left	Right									
S-91L	S-91R	277 (10-29/32")	230	30	24	2.0	40 (88 lbs)	120	100	1000
S-92L	S-92R	198 (7-51/64")	152	28	23	1.5		85	30	180
S-93L	S-93R	150 (5-29/32")	105				30	66 lbs)	75	60

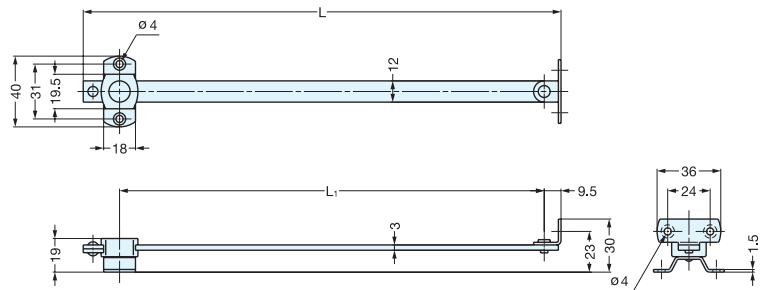
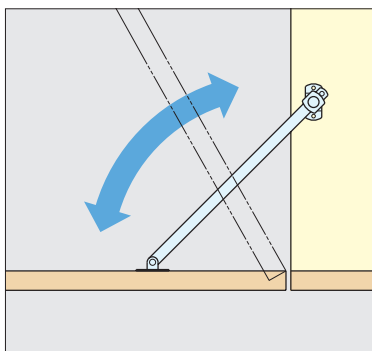
LID STAY



HS



- For downward-opening flap doors.
- Can be installed individually or in pairs.
- Non-Handed : Can be installed on left or right side.



Material	Finish/Color
304 Stainless Steel	Satin
Polyamide	White

Item No.	L	L ₁	Load Capacity (kg)	Weight (g)	Box (pcs)	Carton (pcs)
HS-180	210 (8-17/64")	180 (7-3/32")	10 (22.0 lbs)	80	20	220
HS-210	240 (9-29/64")	210 (8-17/64")	12 (26.5 lbs)	90		
HS-240	270 (10-5/8")	240 (9-29/64")	13 (28.5 lbs)	100		