

SHORT ARM SOFT-DOWN STAY



SDS-100-TV, SDS-C100-TV



Features

- For downward-opening flap doors. Works well with short flap doors.
- Built-in damper causes flap to open gently near fully open radius.
- Non-handed.
- SDS-C100-TV has a built-in catch to hold the door in a closed position.
- SDS-100-TV does not have a catch and needs to have one installed separately.

Torque

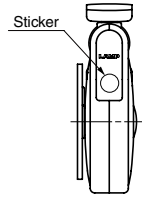
- With 1 stay
Torque = 0.49 - 1.18 N·m (5 - 12 kgf·cm) : TV type
1.62 - 3.68 N·m (16.5 - 37.6 kgf·cm) : TVZ type
- With 2 stays, the torque will be doubled.

Parts Included

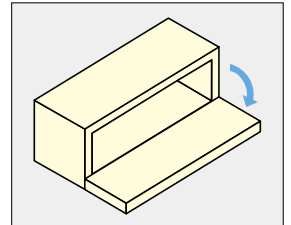
- Mounting plate SDS-A
- Countersunk head tapping screw 3.5 × 14

Sold Separately

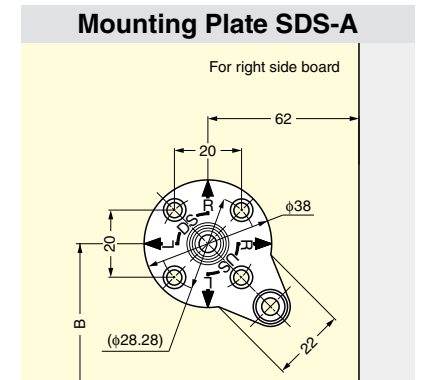
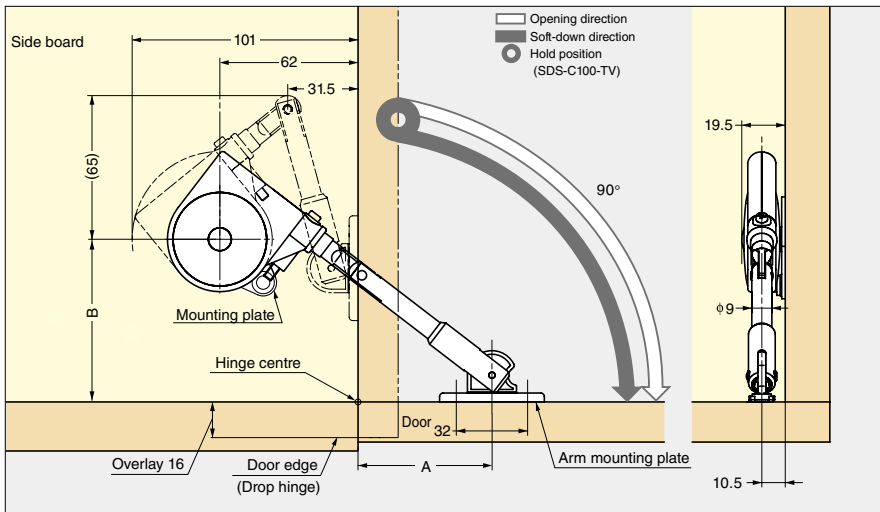
Face plate for glass doors SDS-50G (P522)



The TVZ model comes with a sticker that shows the model difference.



Installation (Opening Angle 90°)



Hinge Type	A	B
Single Knuckle Hinge	60	73
Drop Hinge (SDH-001)	65*1	62
Drop Hinge (SDH-P)	66*2	60

*1: In case overlay 16 mm

*2: In case overlay 19 mm

Body

Item Code	Item Name	Type	Colour	Torque Moment/piece	Weight	Box	Carton
180-100-258	SDS-100W-TV	Without Catch	White	0.49 - 1.18 N·m (5 - 12 kgf·cm)	145 g	20 pcs	100 pcs
180-100-259	SDS-100B-TV	Without Catch	Black		145 g	20 pcs	100 pcs
180-100-006	SDS-C100W-TV	With Catch	White		154 g	20 pcs	100 pcs
180-109-263	SDS-C100B-TV	With Catch	Black		154 g	20 pcs	100 pcs
180-014-181	SDS-100W-TVZ	Without Catch	White	1.62 - 3.68 N·m (16.5 - 37.6 kgf·cm)	147 g	20 pcs	100 pcs
180-014-182	SDS-100B-TVZ	Without Catch	Black		147 g	20 pcs	100 pcs
180-014-183	SDS-C100W-TVZ	With Catch	White		154 g	20 pcs	100 pcs
180-014-184	SDS-C100B-TVZ	With Catch	Black		154 g	20 pcs	100 pcs

SDS Face Plate (Sold Separately)

Item Code	Item Name	Material	Finish/Colour	Weight	Box	Carton
180-100-260	SDS-50G-CR	Zinc Alloy (ZDC)/ABS	Chrome/Black	25 g	50 pcs	200 pcs
180-928-046	SDS-50G-BL	Zinc Alloy (ZDC)/ABS	Black/Black	25 g	50 pcs	200 pcs

