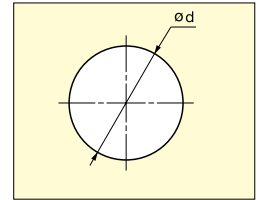
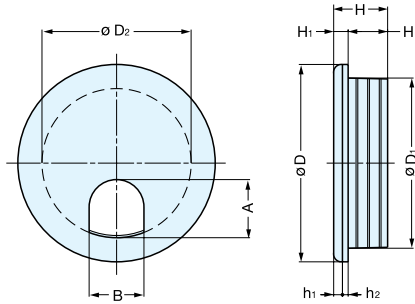


# CABLE GROMMET



## S445, S51, S60, S76, S89



Bore Dimensions

ENCLOSURE COMPONENTS

CABLE GROMMETS

Please specify the finish when ordering.

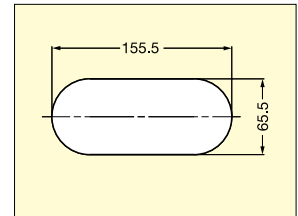
Material	Finish
ABS	White (WHT)/Black (BLK)

Item No.	D	D <sub>1</sub>	D <sub>2</sub>	H	H <sub>1</sub>	H <sub>2</sub>	h <sub>1</sub>	h <sub>2</sub>	A	B	d	Weight (g)	Box (pcs)	Carton (pcs)
S445	45.0 (1-25/32")	38.8 (1-17/32")	34.0	19.7	3.3	16.4		1.3	16.7	12.5	39	8.7	100	1200
S51	51.0 ( 2" )	44.8 ( 1-3/4" )	39.7	19.9	3.6	16.3	2.0	1.6	19.0	15.5	45	11.1		800
S60	60.5 ( 2-3/8" )	48.8 ( 1-59/64" )	44.0	19.8		16.2			20.8	19.0	49	13.7		600
S76	76.5 ( 3-1/64" )	64.8 ( 2-17/32" )	59.0	20.3	4.2	16.1	2.6		21.5	21.5	65	21.8	50	350
S89	89.4 ( 3-33/64" )	76.8 ( 3-1/64" )	71.4	20.6	4.1	16.5	2.6	1.5	25.0	22.0	77	30.3		250

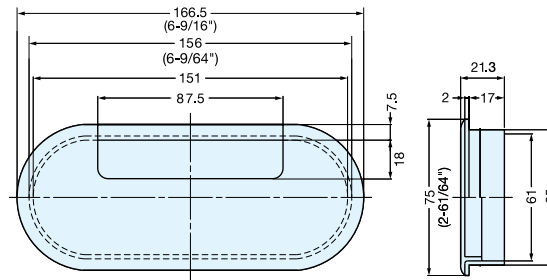
# CABLE GROMMET



## S165-76



Bore Dimensions



Please specify the finish when ordering.

Item No.	Weight (g)	Box (pcs)	Carton (pcs)	Material	Finish
S165-76	47.7	150	1500	ABS	White (WHT)/Black (BLK)