

SLIDING DOOR SYSTEM

FD50-H



	a	b	c	d
	Two-Way Soft Close	Standard Sliding	Two-Way Soft Close	Standard Sliding
Roller	Recessed Mount	Recessed Mount	Surface Mount	Surface Mount
Door Weight	Max. 50 kg			
Door Thickness (Min.)	24 mm	24 mm	30 mm	30 mm
Door Width	680-1500 mm* 800-1500 mm**	Max. 1500 mm* 800-1500 mm**	774-1500 mm* 800-1500 mm**	Max. 1500 mm* 800-1500 mm**
Door Height	Max. 2700 mm			
Height Adjustment	-3/+4 mm		±4 mm	
Side Adjustment	±2 mm		-	

* When the door is 2400 mm or less in height.

**When the door is 2401 - 2700 mm in height.

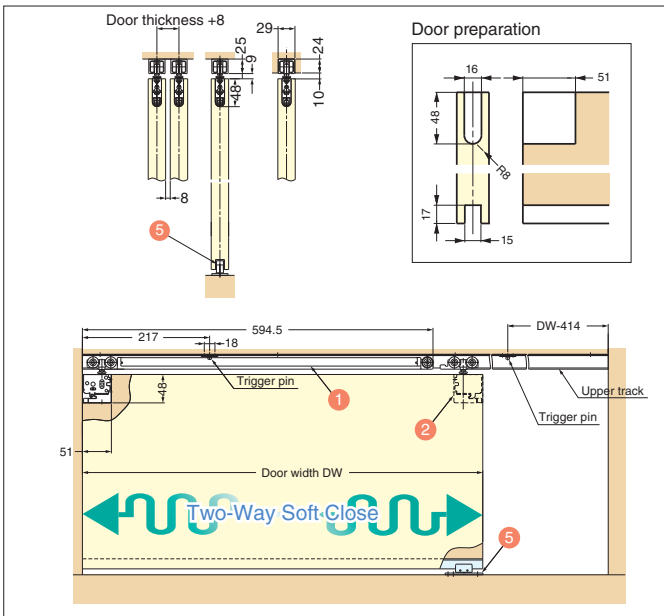
Features

- Thin profile allows flexible design with multiple potential applications.
- Damper equipped for soft and self closing ([a] [c] only).
- Each model has passed 200,000 open and close cycles in a private test.

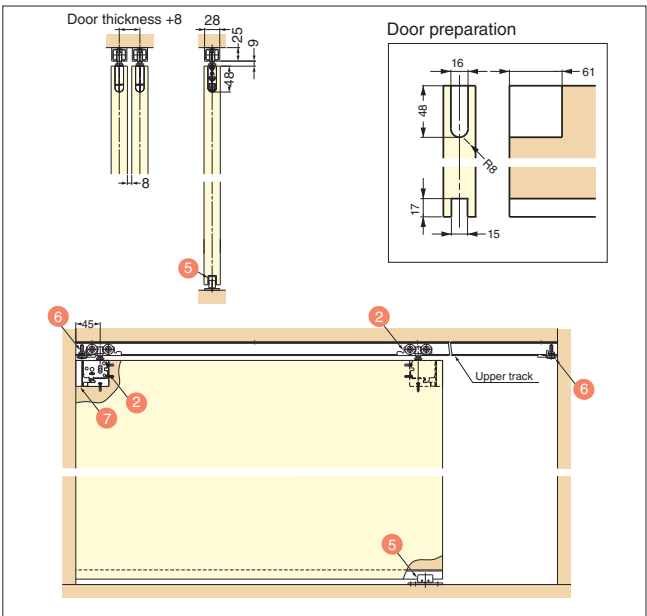
ARCHITECTURAL DOOR HARDWARE

SLIDING DOOR SYSTEM

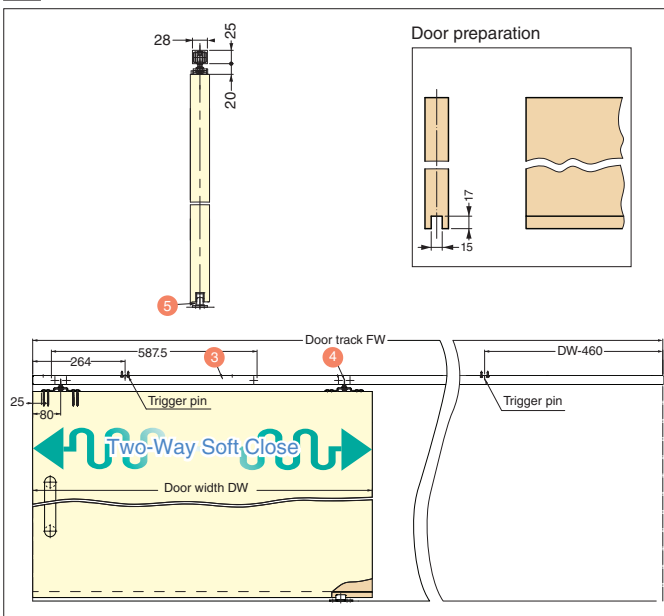
a FD50 / Recessed Mount Roller / Two-Way Soft Close



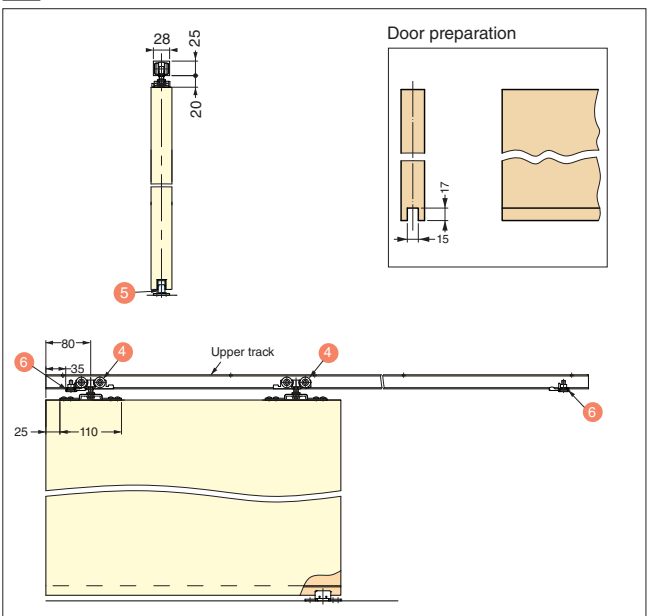
b FD50 / Recessed Mount Roller / Standard Sliding



c FD50 / Surface Mount Roller / Two-Way Soft Close











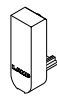
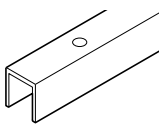
d FD50 / Surface Mount Roller / Standard Sliding



Parts Set (Per Door)		Necessary Parts	
Please refer to "Qty [a] - [d]" for parts included in each set.			
Item Code	Item Name	Description	
[a] 250-020-791	FD50-DHCP	Recessed Roller Two-Way Soft Close	
[b] 250-020-792	FD50-HHP-LBR	Recessed Roller Standard Sliding	
[c] 250-023-991	FD50-DHCMP	Surface Mount Two-Way Soft Close	
[d] 250-023-990	FD50-HMP	Surface Mount Standard Sliding	


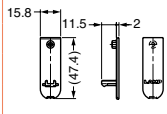
Parts Included

No.	Qty				Part Name	Description
	[a]	[b]	[c]	[d]		
1	1 pc	-	-	-	 Recessed Roller Soft Closer Two-Way Soft Close Item Code : 250-032-340 Item Name : FD50-WRH-DSC • Material Steel / Polyacetal • Finish Chromate / Grey	
	2 pcs	-	-	-		 Trigger Pin • Material Steel • Finish Chromate
2	1 pc	2 pcs	-	-	 Recessed Roller Item Code : 250-020-765 Item Name : FD50-WRH • Material Zinc Alloy / Polyacetal • Finish Chromate / Grey	
	-	-	1 pc	-		 Surface Mount Roller Soft Closer Two-Way Soft Close Item Code : 250-022-902 Item Name : FD50-WRM-DSC • Material Steel / Polyacetal • Finish Chromate / White
3	-	-	2 pcs	-	 Trigger Pin • Material Steel • Finish Chromate	
	-	-	1 pc	2 pcs		 Surface Mount Roller Item Code : 250-022-901 Item Name : FD50-WRM • Material Zinc Alloy / Polyacetal • Finish Nickel / White
5	1 pc	1 pc	1 pc	1 pc	 Floor Guide Item Code : 250-020-773 Item Name : FD50-BG18 • Material SUS 304 / Polyacetal • Finish Plain / White	
	-	2 pcs	-	2 pcs		 End Stopper Item Code : 250-020-772 Item Name : FD50-HTST • Material Steel • Finish Chromate

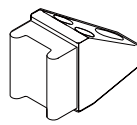
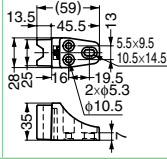
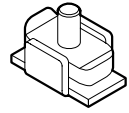
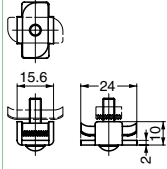
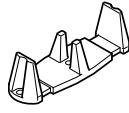
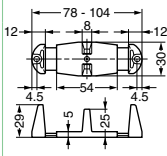
No.	Qty				Part Name	Description
	[a]	[b]	[c]	[d]		
7	-	2 pcs	-	-	 Cover Cap for Recessed Roller Item Code : 250-020-778 Item Name : FD50-WRH-SCP-LBR • Material Polypropylene • Finish Light Brown	
	1 pc	1 pc	1 pc	1 pc		 Door Guide Track Item Code : 250-019-971 Item Name : FD30-HBRT1500SIL • Material Aluminium • Finish Anodized Silver

Cover Cap

Necessary Parts for [a]

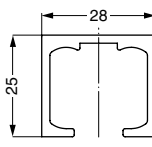
No.	Item Code	Part Name	Dimensions	Description
9	250-020-777	 Cover Cap • Material Polypropylene • Finish WT=White LBR=Light Brown DBR=Dark Brown	 15.8, 11.5, 2, 19.5, 10.5x14.5, 47.4	
	FD50-WRH-CP-WT			
	250-020-775			
	FD50-WRH-CP-LBR			
	250-020-776			
	FD50-WRH-CP-DBR			

Optional Parts

No.	Item Code	Part Name	Dimensions	Description
10	250-018-497	 Door Stopper • Material Zinc Alloy / Rubber • Finish Grey	 13.5, 45.5, 2, 5.5x9.5, 10.5x14.5, 16, 19.5, 2xφ5.3, φ10.5	
	FD30-HTKY			
11	250-020-817	 Stopper Block • Material Steel • Finish Chromate	 15.6, 24, 2	
	FD50-HSB			
12	250-017-156	 Bottom Guide • Material Polyamide • Finish Light Brown	 78 - 104, 12, 8, 12, 4.5, 5.4, 4.5, 12, 4.5, 12	
	FD30-HGW			

Upper Track

Necessary Parts

Mounting	Length	Item Code	Dimensions	Description		
Surface Mount	1820 mm	250-020-766	 28, 35	• Material Aluminium • Finish Anodized Silver		
		FD50-TRM1820SIL				
	2730 mm	250-020-768			• Material Aluminium • Finish Anodized Silver	
		FD50-TRM2730SIL				
	3640 mm	250-020-770				• Material Aluminium • Finish Anodized Silver
		FD50-TRM3640SIL				