

LAMP® FD50-H SLIDING DOOR SYSTEM Installation Manual

(For Mortised, Drop or False Ceiling, with Surface Mount Rollers - with Dual Soft Close)

Part No.FD50DHCMP

Thank you for selecting our product. Before starting installation, please read this manual thoroughly to ensure correct installation. Please keep this manual at hand for future reference.

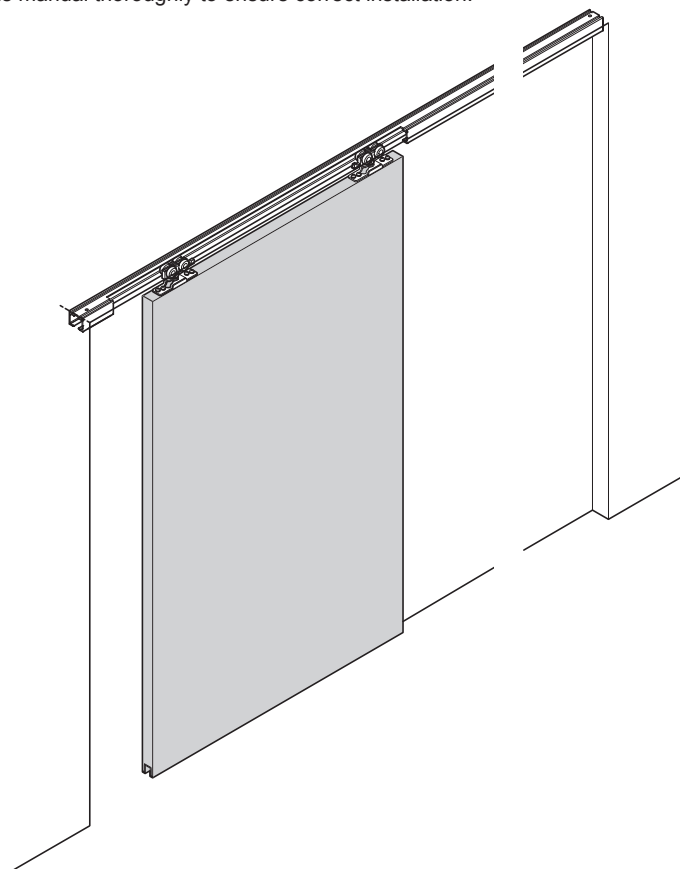
ABOUT THE PRODUCT

- This product is a parts set for an indoor sliding door system.
- Provides the door with a two step soft motion in each direction when opening and closing.
- Easy door installation and adjustment.

SPECIFICATIONS

Door height	Max.2400 mm	2401 - 2700 mm
Door width	774 - 1500 mm	800 - 1500 mm
Min.Door thickness	30 mm	
Max.Door weight	50 kg / door	
Height adjustable range	4 mm upward, 4 mm downward	

- The closing speed of the soft closing type door may change due to ambient temperature, operating method or installation quality.
- Recommended ambient temperature range is 5 to 40 °C .



FOR YOUR SAFETY WORK AND OPERATION

Meaning of symbols

 Warning Caution	 Prohibited	 Required
--	---	---

WARNING: If not followed, death or serious injury may result.

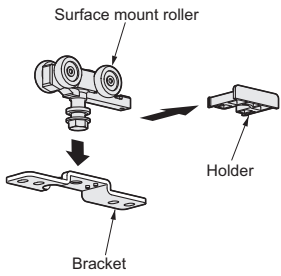
- ❗ This (sliding door system) should be installed by a qualified person. If the system is not installed correctly, the door will not operate smoothly, and may cause injury.
- ❗ It is necessary to manufacture the frame with sufficient strength so that it endures the weight of the door and any impact upon opening/closing the door. Only use designated screws and ensure that they are fastened firmly. A frame with poor strength or loose screws might result in the door falling and causing injury.
- ⊘ Do not try to use this product for anything other than its original purpose. Do not use any part for applications outside of its specification.
- ⊘ Do not disassemble nor modify any parts other than those described in this document.

Caution: If not followed injury or damage may result.

- ❗ Make sure to follow the designated dimensions, specifications, and horizontal/vertical angles. Make sure that the frame is not warped, since it may affect the movement of the door.
- ❗ If cutting any parts, make sure to remove any burrs before installation. Also check the upper track for any left-over burrs or scraps and remove these.
- ❗ This product is a part for architectural fittings. After installation, make sure to test the finished product thoroughly to ensure that it is well-functioning and safe.
- ❗ Make sure to check the screws for slack at regular intervals (one month from first usage, half a year, and then one time every year is recommended).

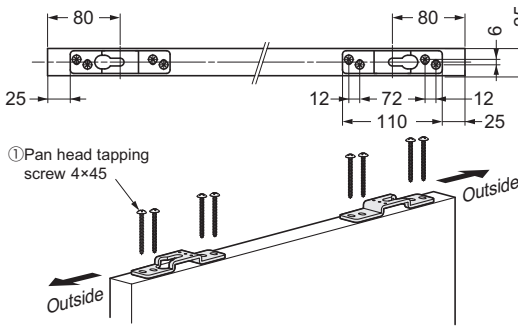
2. Installing Bracket

1 Disassemble



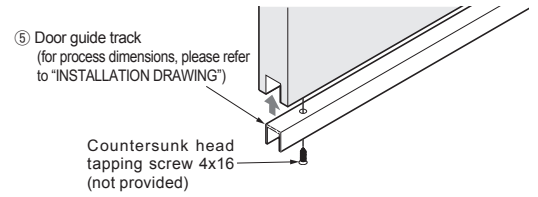
2 Fastening

- ① Pay attention to setting the direction of the bracket.
The open part of the bracket should face in the outside direction.



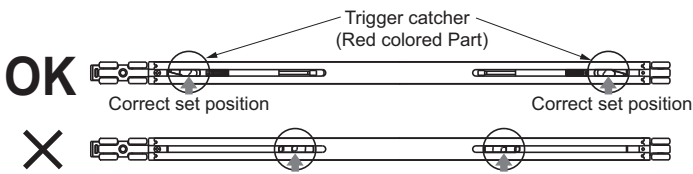
3. Installation of Door Guide Track

- (1) Cut the track to the same length as the door width.
① When cutting, reinforce the track to prevent deformation at the cut section.
(2) Fasten the track with countersunk head tapping screws 4x16 (not provided).



4. Verification Before Installing the Two-way Soft Closer

⚠ Without verification the self closing feature may fail.



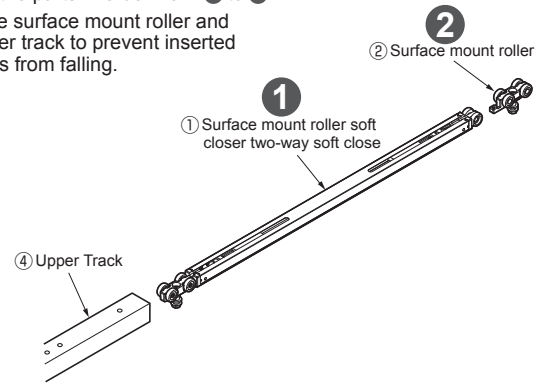
If the position is wrong, pull back the trigger catcher to the correct position using a 6 mm diameter round bar.



5. Inserting Parts into Upper Track

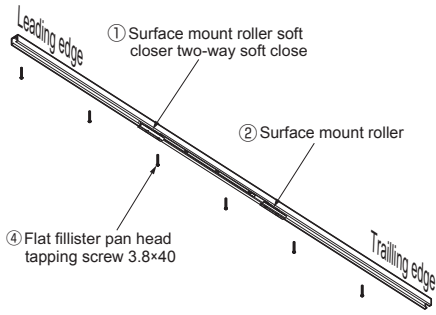
Insert the parts in order from ① to ②.

- ① Tape surface mount roller and upper track to prevent inserted parts from falling.



6. Fixing Upper Track

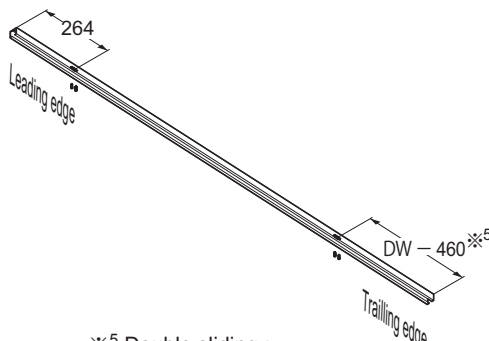
⚠ Leading edge : The leading edge of the track has two 5 mm dia. holes at 264 mm position from the end.



- ① Be careful not to overtighten the screws and screw heads protruding on upper track. It may cause deformation of track or damage of soft closer.

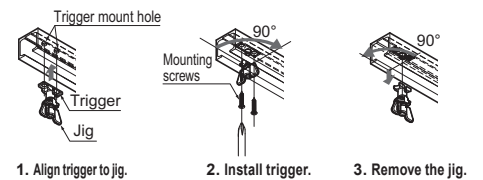
7. Fixing Trigger

According to the "Installation Drawing (Example)", install the trigger with the provided screws 264 mm from the leading edge and (door width DW - 460) from the trailing edge.



※⁵ Double sliding :
DW + DN - 460

Operation of trigger mounting jig



1. Align trigger to jig.

2. Install trigger.

3. Remove the jig.

✗ Out of straight

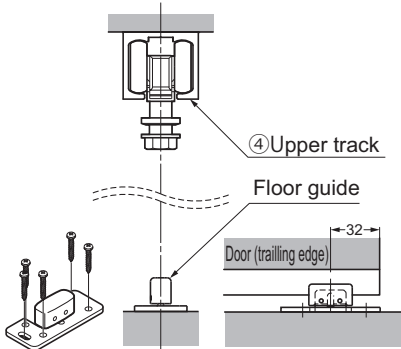
OK

✗ Out of straight

OK

8. Mounting Floor Guide

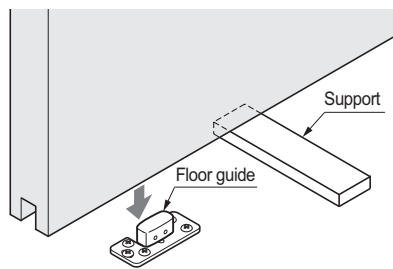
- (1) Position floor guide just below the center of upper track.
(2) Position the floor guide so that the roller part stays under the door when it is opened or closed.



2 HANGING THE DOOR AND ADJUSTMENT

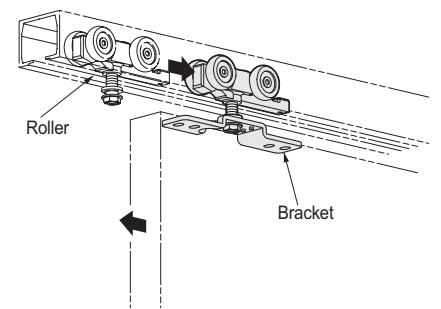
1. Bottom part

Put a 10 mm support under the door, while holding the door, insert the floor guide into the groove under the door.



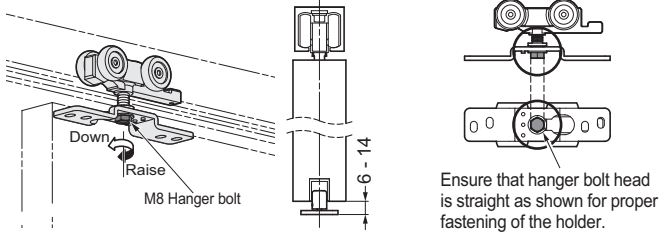
2. Top part

Insert the roller into the holder as shown in the drawing below.



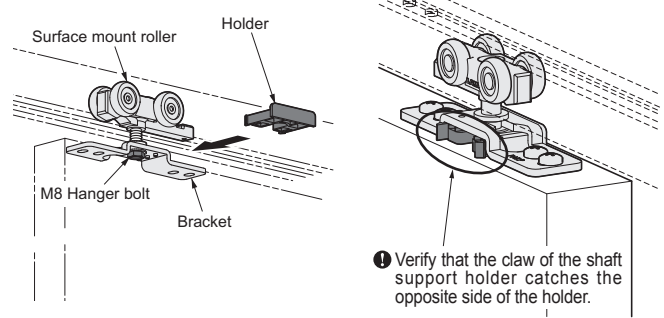
3. Adjustment of Door Height

- (1) Remove the 10 mm support under the door.
- (2) Adjust the door parallel to the upper track with 6 - 14 mm of clearance between the door and floor.



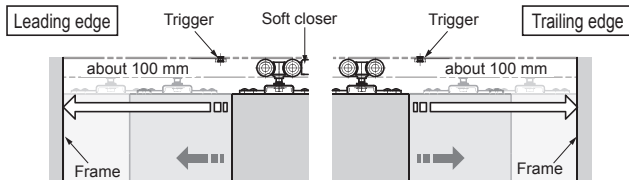
4. Inserting Holder

Insert the holder as shown below.



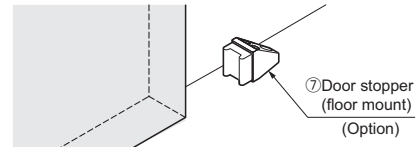
5. Verification of Sliding Door Operation

- (1) Close the door slowly and check that the soft closer works correctly. The soft closer is engaged approximately 100 mm at the leading edge before the door reaches its final position.
- (2) Carry out similar verification for the door trailing edge.
- (3) Please refer to the "TROUBLESHOOTING" section when the soft closer does not work correctly.



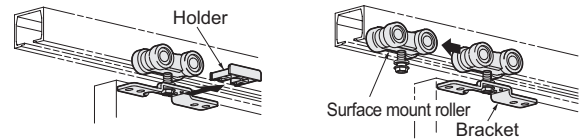
When Vertical Frame is not Used

When a vertical frame is not used, use a door stopper of option.



How to Remove Door

- (1) Put a 10 mm support under the door.
- (2) Pull out the holder.
- (3) Pull out the upper roller from the bracket.
- (4) Remove the door from the floor guide.



Final verification	Verify that all screws are securely tightened, and verify that all screws have been used.
PERIODICAL INSPECTION	<ul style="list-style-type: none"> • Clean inside of track. • Check upper and lower gaps between the door and frame. If necessary, adjust the gaps.

TROUBLESHOOTING

Trouble	Check Point	Solution
Door stops during soft closing	Check if door bottom contacts the floor.	Verify that the track fixing screws are not loosened. Then, adjust the door height such that the clearance between the door bottom and floor is 10 mm.
	Check if upper track is set horizontally.	Using a level gauge, reset upper track horizontally.
	Check if mohair seal is installed.	Reduce the friction between mohair and door.
No soft closing	Check if trigger is installed.	Install trigger to correct position.
	Check if door is closed by excessive force.	Do not close door by excessive force as it may damage soft closer.
	The position of the trigger catcher may become dislocated (See P.3 section 4.)	Check the status of the trigger catcher in P.3 section 4.
Abnormal noise during operation	Check if door bottom contacts with floor.	Verify that the track fixing screws are not loosened. Then, adjust the door height such that the clearance between the door bottom and floor is 10 mm.
	Check if door touches adjacent parts.	Correct door position to avoid contact with other objects. Adjust position of floor guide or stopper.
	Check track rollers for aluminum dust.	Remove the track and pull out the roller. Then, clean the roller.
	Check for loose screws retaining the upper track.	Tighten the screw.
Heavy door operation	Check if door bottom contacts the floor.	Verify that the track fixing screws are not loosened. Then, adjust the door height such that the clearance between the door bottom and floor is 10 mm.
	Check if door touches adjacent parts.	Correct the door position to avoid contact with other objects. Adjust position of the floor guide or stopper.
Door does not move.	Check the track retaining screws for looseness.	Retighten screws to free the roller.
Door starts to move.	Check the upper track if it is set horizontally.	Using a level gauge, reset upper track horizontally.

SUGATSUNE KOGYO CO.,LTD
Tokyo, JAPAN
Phone: +81 (0)3 3866 2260 E-mail:export@sugatsune.co.jp

SUGATSUNE KOGYO (UK) LTD
Reading, UK
Phone: +44 118 9272 955 E-mail:sales@sugatsune.co.uk

SUGATSUNE SHANGHAI Co., LTD
Shanghai, CHINA
Phone: +86 21 3632 1858 E-mail:lamp@sugatsune.com.cn

Guangzhou, CHINA
Phone: +86 20 6639 3552 E-mail:lamp@sugatsune.com.cn

SUGATSUNE AMERICA, INC
California, USA
Phone: +1 310 329 6373 E-mail:sales@sugatsune.com

Chicago, USA
Phone: +1 312 461 1081 E-mail:chicagoshowroom@sugatsune.com.

SUGATSUNE EUROPE GmbH
Düsseldorf, GERMANY
Phone: +49 211 53812900 E-mail:sales@sugatsune.eu

SUGATSUNE KOGYO INDIA PRIVATE LIMITED
Mumbai, INDIA
Phone: +91 22 28314490/91 E-mail:sales@sugatsune.in

ISO9001(Japan Offices and Sugatsune America) and ISO14001(Chiba Production division and Logistics center), certified.

SUGATSUNE CANADA, INC.
Phone: +1 514 312 5267 E-mail:support@sugatsune.ca