

LAMP® FD80-H SLIDING DOOR SYSTEM Installation Manual

(Normal slide with surface mount roller)

Part No.FD80HMP

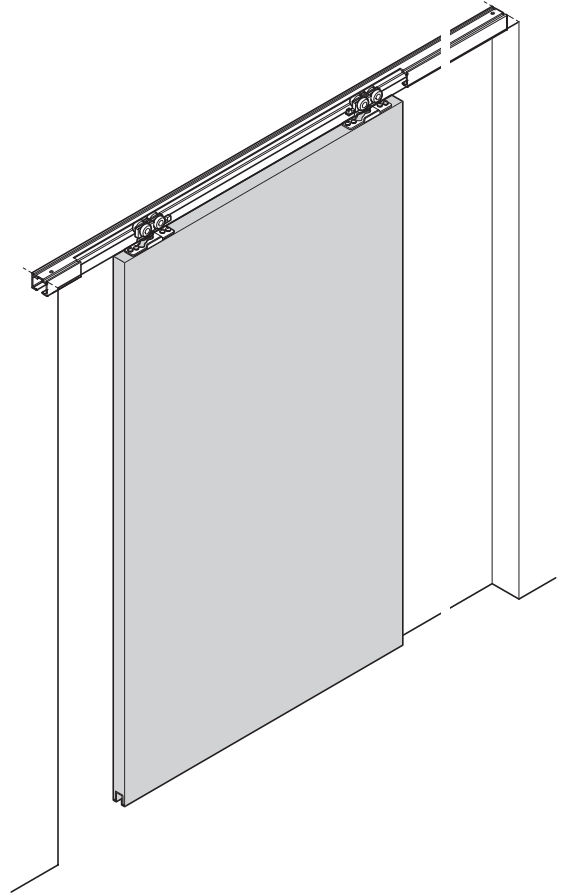
Thank you for selecting our product. Before starting installation, please read this manual thoroughly to ensure correct installation. Please keep this manual at hand for future reference.

ABOUT THE PRODUCT

- This product is a parts set for heavy duty sliding door system for indoor use.
- Easy door installation and adjustment.

SPECIFICATIONS

Door height	Max. 2500 mm	2501 - 2700 mm
Door width	784 - 1500 mm	850 - 1500 mm
Min.Door thickness	30 mm	
Max.Door weight	80 kg	
Height adjustable range	± 4 mm	



FOR YOUR SAFE WORK AND CORRECT INSTALLATION

Meaning of symbols



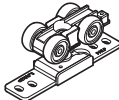
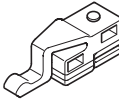
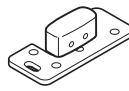
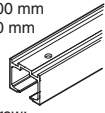
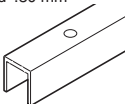



⚠ WARNING: If not followed, death or serious injury may result.

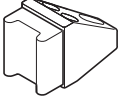
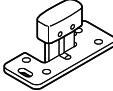

- ❗ This (sliding door system) should be installed by a qualified person. If the system is not installed correctly, the door will not operate smoothly, and may cause injury.
- ❗ It is necessary to manufacture the frame with sufficient strength so that it endures the weight of the door and any impact upon opening/closing the door. Only use designated screws and ensure that they are fastened firmly. A frame with poor strength or loose screws might result in the door falling and causing injury.
- ⊘ Do not try to use this product for anything other than its original purpose. Do not use any part for applications outside of its specification.
- ⊘ Do not disassemble nor modify any parts other than those described in this document.

⚠ Caution: If not followed, injury or damage may result.

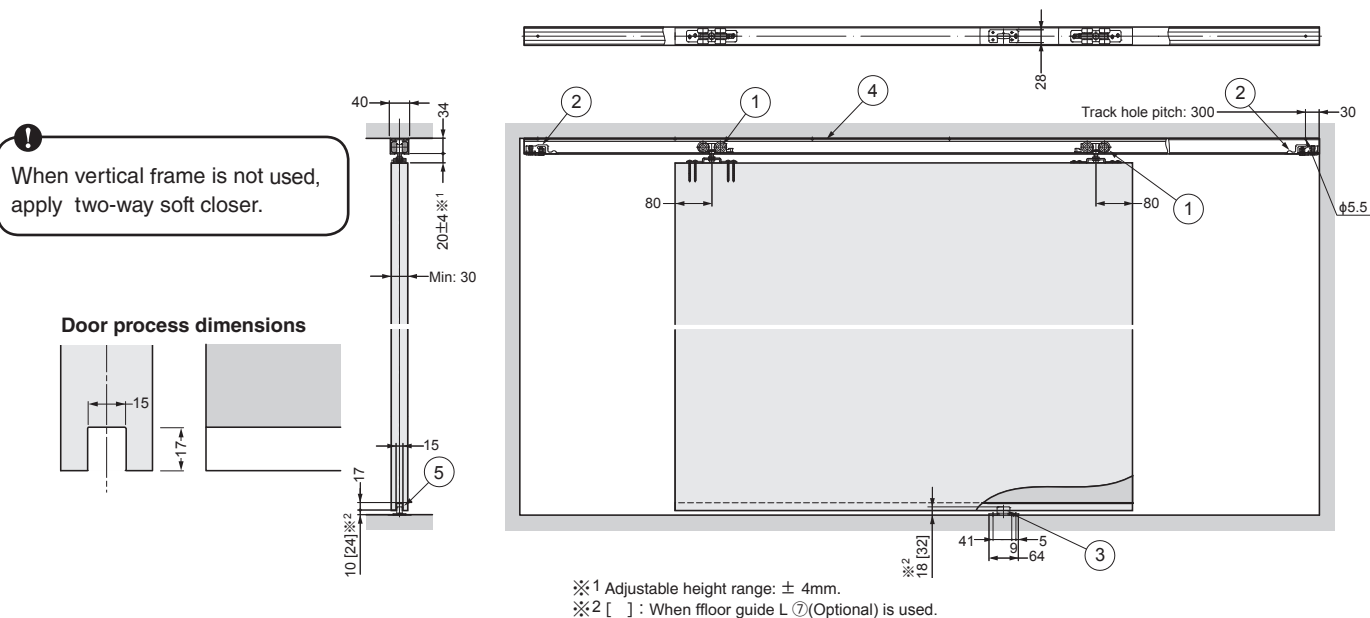
- ❗ Make sure to follow the designated dimensions, specifications, and horizontal/vertical angles. Make sure that the frame is not warped, since it may affect the movement of the door.
- ❗ If cutting any parts, make sure to remove any burrs before installation. Also check the upper track for any left-over burrs or scraps and remove these.
- ❗ This product is a part for architectural fittings. After installation, make sure to test the finished product thoroughly to ensure that it is well-functioning and safe.
- ❗ Make sure to check the screws for slack at regular intervals (one month from first usage, half a year and then one time every year is recommended).

COMPONENT PARTS

No.	①	②	③	④	⑤
Name	Surface mount roller	End stopper	Floor guide S	Upper track	Door bottom guide track
Item No.	FD80-WRM	FD80-HTST	FD50-BG18	FD80-TRM series	FD30-HBRT1500SIL
Item	 Accessory screw: Pan head tapping screw 4x45 4 pcs		 Accessory screw: Bind head tapping screw 4x16 5 pcs	(Various sizes)  Hole pitch :300 mm Pitch end :30 mm Accessory screw: Pan head tapping screw 5x40	1500mm  Hole pitch :250 mm Pitch end :30 mm
Single sliding 	2 pcs	2 pcs	1 pc	1 pc	1 pc
Double sliding 	4 pcs	4 pcs	2 pcs	2 pcs	2 pcs
In line sliding 	4 pcs	4 pcs	2 pcs	1 pc	2 pcs

OPTIONAL PARTS	No	⑥	⑦	⑧
	Name	Door stopper(floor)	Floor guide L	Spanner
	Item No.	FD30-HTKY	FD50-BG32	FD30-FSP
Item	Needed when vertical frame is not used.  Accessory screw: Bind head tapping screw 4x30 3 pcs	This is used when larger space below the door is required.  Accessory screw: Bind head tapping screw 4x16 5 pcs	 Nominal designation 10,12	

INSTALLATION DRAWING (EXAMPLE)



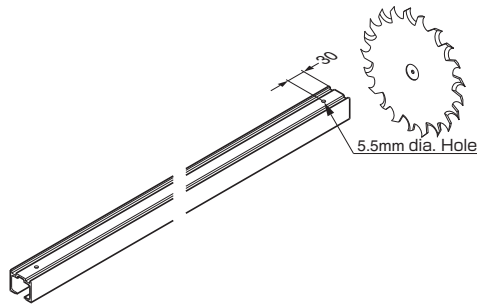
INSTALLATION PROCEDURE

(This manual explains assembly of single side sliding door system.)

1 PREPARATION AND INSTALLATION

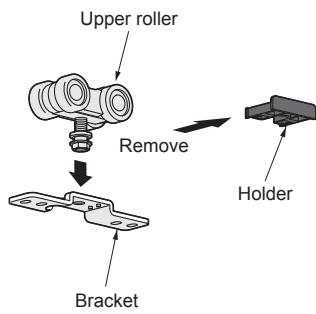
1. Cutting and Drilling Holes on Upper Track

- ① When cutting, reinforce the track to prevent deformation at the cut section.
- ① Remove any dirt or aluminum chips from the track.



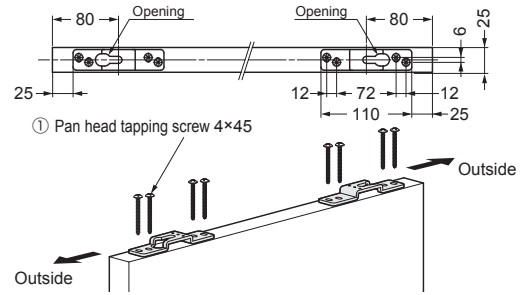
2. Installing Bracket

① Disassembling



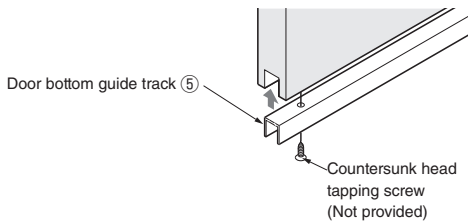
② Fastening

- ① Pay attention to setting the direction of the bracket.
The open part of the bracket should face in the outside direction.



3. Installing door guide track

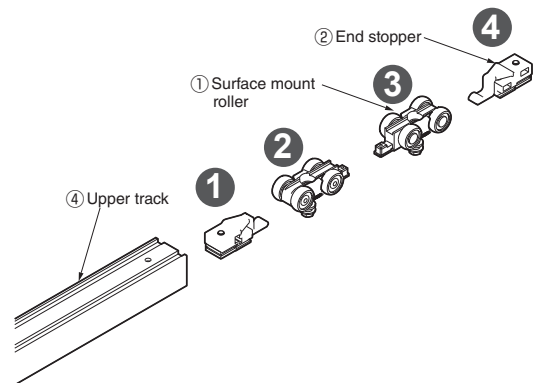
- (1) Cut the track to the same length as the door width.
① When cutting, reinforce the track to prevent deformation at the cut section.
(2) Fasten the track with countersunk head tapping screws 4×16 (not provided)



4. Inseting Parts into Upper Track

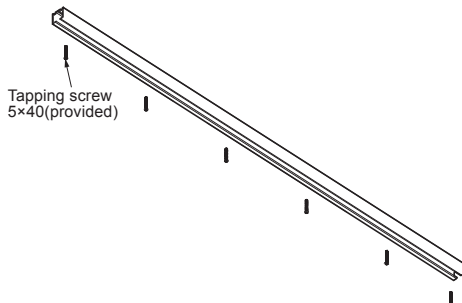
Assemble the parts in order from ① to ④ with care of direction.

- ① Fasten end Stoppers Temporarily to prevent the inserted parts from falling.



5. Installation of track

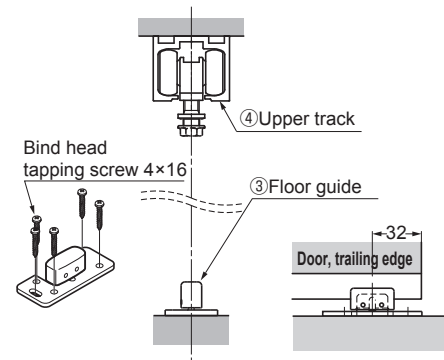
- ① Remove any dirt or aluminum chips from the track.



⚠ Electric screwdriver may damage the track due to excessive tightening force. Manual driver is recommended.

6. Mounting Floor Guide

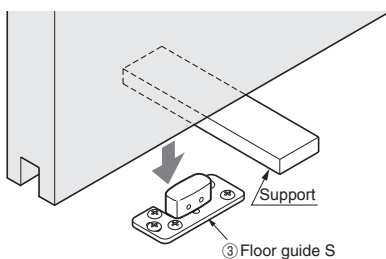
- (1) Position floor guide just below the center of upper track.
(2) Position the floor guide so that it stays under the door when it is opened or closed.



2 HANGING THE DOOR AND ADJUSTMENT

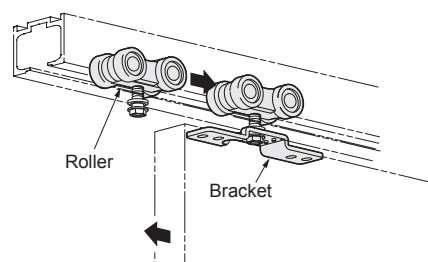
1. Hanging (Bottom part)

Put a 10 mm support under the door.
While holding the door, insert the floor guide into the groove under the door.



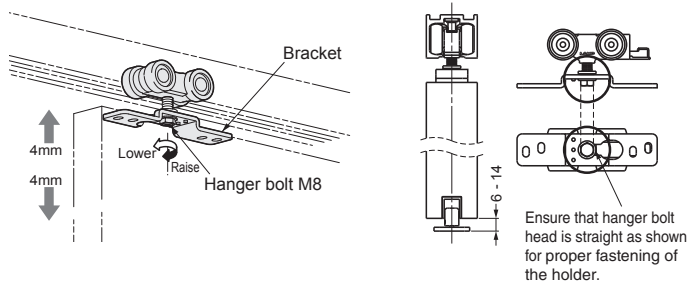
2. Hanging (Top part)

Insert the roller into the bracket as shown in the drawing below.



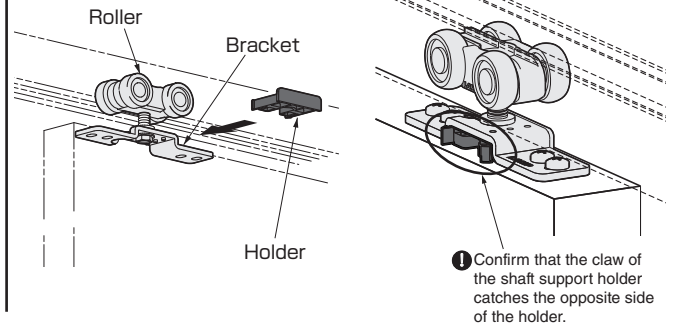
3. Adjustment of Door Height

- (1) Remove the 10 mm support under the door.
- (2) Adjust the door parallel to the upper track with 6- 14 mm of clearance between the door and floor.



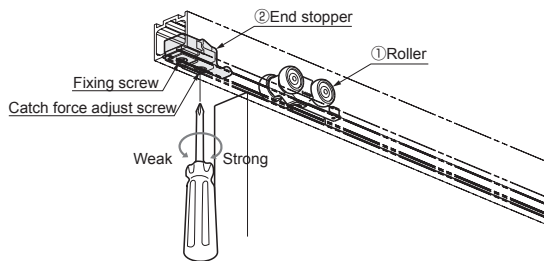
4. Installation of Holder

Insert the holder as shown below.



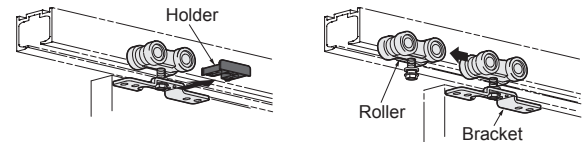
5. Fixing End Stopper and Adjustment

- (1) Fix end stopper with the door fully closed.
Set the position of end stopper such that roller in the track contacts with end stopper, tighten position-set screw with Phillips head driver #2.
- (2) Using Phillips head driver #2, adjust door catch force by the adjust screw.
- (3) Fix another stopper and adjust it at opposite end in similar manner.



HOW TO REMOVE DOOR

- (1) Put a support under the door.
- (2) Pull out the Holder.
- (3) Pull out the roller from the Bracket.
- (4) Remove the door from the Floor guide.



Final verification	Verify that all screws are securely tightened, and verify that all screws have been used.
PERIODICAL INSPECTION	<ul style="list-style-type: none"> • Clean inside of track. • Check upper space and lower space of the door. If necessary, correct the space.

TROUBLESHOOTING

TROUBLE	CHECK POINT	REMEDY
Abnormal noise during operation	Check if door bottom contacts the floor.	Verify that the track fixing screws are not loosened. Adjust the door height 6 - 14 mm between the door bottom and floor.
	Check inside of upper track for existence of foreign matter such as aluminum dust.	Remove dust or foreign matter.
	Check track rollers for existence of dust or aluminum powder.	Remove the track and pull out the roller. Then, clean the roller.
	Check for loosened screws retaining the upper track	Tighten the screw.
Heavy door operation	Check if door contacts to other parts.	Provide necessary space between door and adjacent objects.
Door starts to move.	Check track retaining screws for looseness.	Tighten the screw.
Door does not move.	Check the upper track if it is set horizontally.	Using a level gauge, reset upper track horizontally.

SUGATSUNE KOGYO CO.,LTD
Tokyo, JAPAN
Phone: +81 (0)3 3866 2260 E-mail:export@sugatsune.co.jp

SUGATSUNE KOGYO (UK) LTD
Reading, UK
Phone: +44 118 9272 955 E-mail:sales@sugatsune.co.uk

SUGATSUNE SHANGHAI Co., LTD
Shanghai, CHINA
Phone: +86 21 3632 1858 E-mail:lamp@sugatsune.com.cn

Guangzhou, CHINA
Phone: +86 20 6639 3552 E-mail:lamp@sugatsune.com.cn

SUGATSUNE AMERICA, INC
California, USA
Phone: +1 310 329 6373 E-mail:sales@sugatsune.com

Chicago, USA
Phone: +1 312 461 1081 E-mail:chicagoshowroom@sugatsune.com.

SUGATSUNE EUROPE GmbH
Düsseldorf, GERMANY
Phone: +49 211 53812900 E-mail:sales@sugatsune.eu

SUGATSUNE KOGYO INDIA PRIVATE LIMITED
Mumbai, INDIA
Phone: +91 22 28314490/91 E-mail:sales@sugatsune.in

ISO9001(Japan Offices and Sugatsune America) and ISO14001(Chiba Production division and Logistics center), certified.

SUGATSUNE CANADA, INC.
Phone: +1 514 312 5267 E-mail:support@sugatsune.ca