

SLIDING DOOR SYSTEM

FD30-H



	a	b	c	d
	Two-Way Soft Close	One-Way Soft Close	Standard Sliding	Standard Sliding
<b>Roller</b>	Recessed Mount	Recessed Mount	Recessed Mount	Side Mount
<b>Door Weight</b>	Max. 30 kg/door			
<b>Door Thickness (Min.)</b>	24 mm	24 mm	24 mm	28 mm
<b>Door Width</b>	590 - 1000 mm	510 - 1000 mm	Max. 1000 mm	Max. 1000 mm
<b>Door Height</b>	Max. 2400 mm			
<b>Height Adjustment</b>	-3/+4 mm	-3/+4 mm	±4 mm	±4 mm
<b>Side Adjustment</b>	±2 mm	±2 mm	±2 mm	-

Features

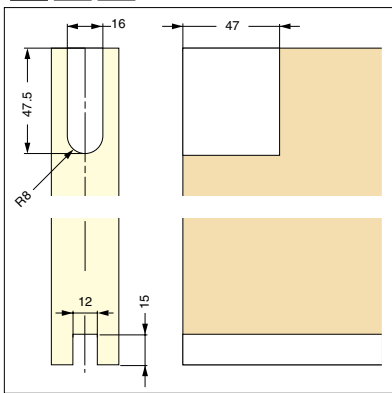
- Thin profile allows for flexible design and many different types of installations.
- Damper equipped for soft & silent closing at the end (a) and (b) models only.
- Each model has passed 200,000 open and close cycles in a private test.

\*Designed for interior use.

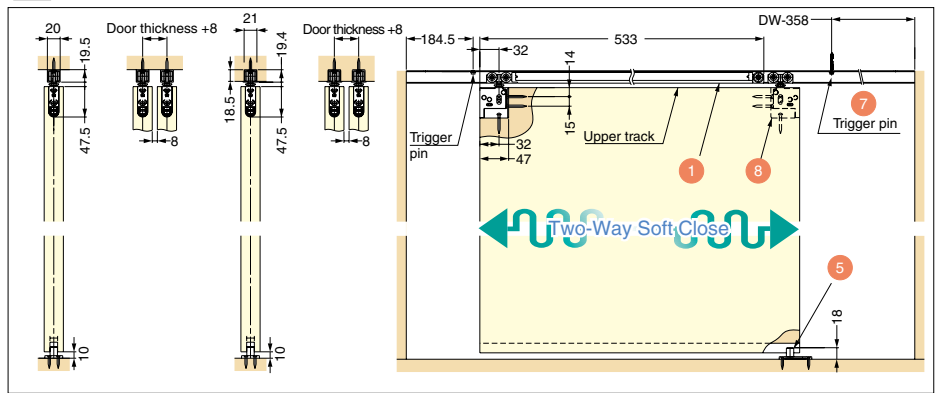
ARCHITECTURAL DOOR HARDWARE

SLIDING DOOR SYSTEM

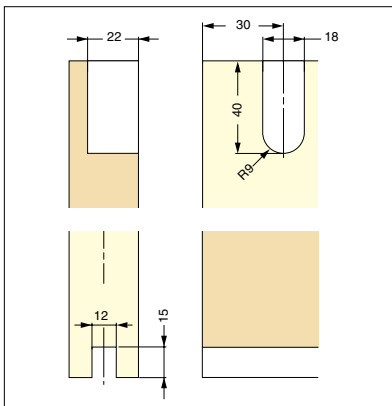
a b c Door Preparation



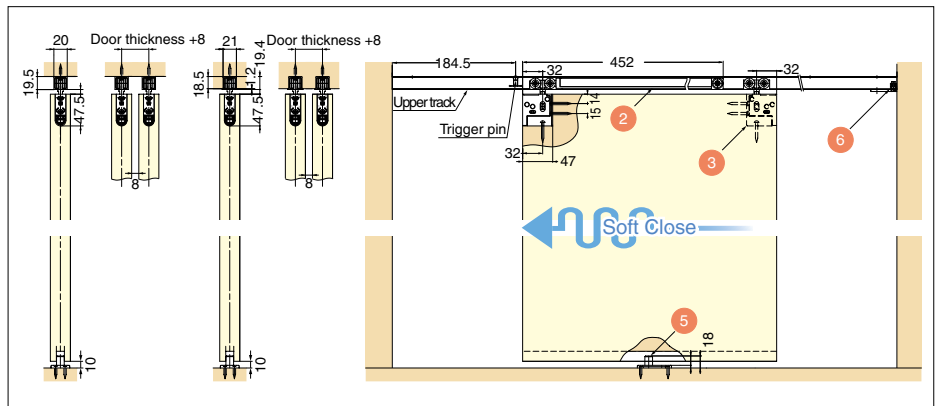
a FD30 / Recessed Mount Roller / Two-Way Soft Close



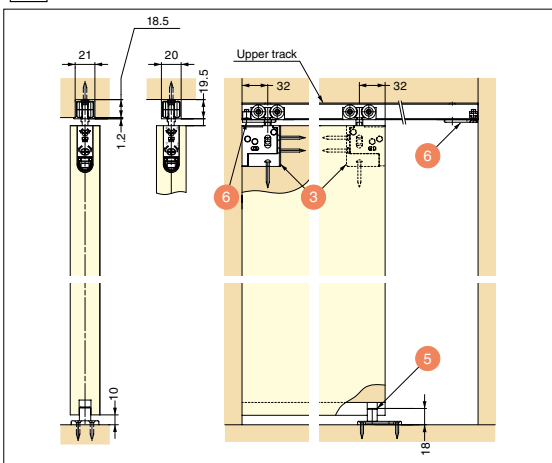
d Door Preparation



b FD30 / Recessed Mount Roller / One-Way Soft Close



c FD30 / Recessed Mount Roller / Standard Sliding



d FD30 / Side Mount Roller / Standard Sliding

