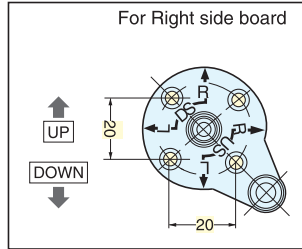


## Step 1 - Position and Install Mounting Plates

The hinge type and the coverage affect the placement of the mounting plate and arm fixing plate. Please use the corresponding diagram(Fig. 1 ~2) to determine the mounting dimensions for your application. Position and install mounting plate and arm fixing plate using supplied screws.

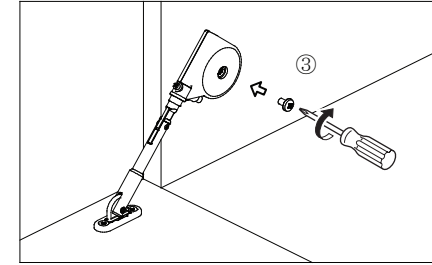
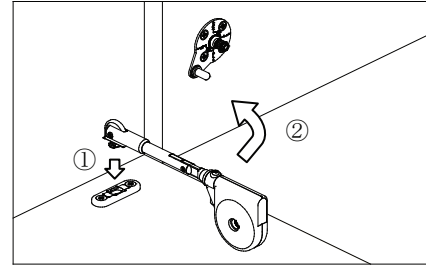
For installation of the mounting plate on the right hand side, the arrow of "R" on the "DS" side should point upward vertically. For the left side, the arrow of "L" on the "DS" side should point upward vertically.

All diagrams(Fig. 1~2) are shown for right side mounting.



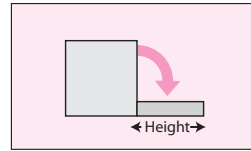
## Step 2 - Install the Main Body

- ① Insert the "key" of the arm into the arm fixing plate. The main body must be placed at 90 degrees angle against the fixing angle.
- ② Turn the main body 90 degrees and insert the center gear of the mounting plate to the hole of the main body.
- ③ Fix the main body with the bind screw.



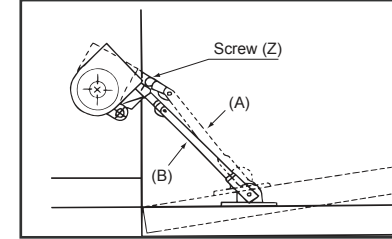
## Weight and Door Height

The SDS-C100 must be used taking the weight and door height into consideration. The table indicates the usable weight range per door height when using two stays. When using one stay, the weight range will be half of what is shown. For doors outside of the recommended weight range, please contact Sugatsune for the recommended lid stay.



## Step 3 - Adjustment and Operation

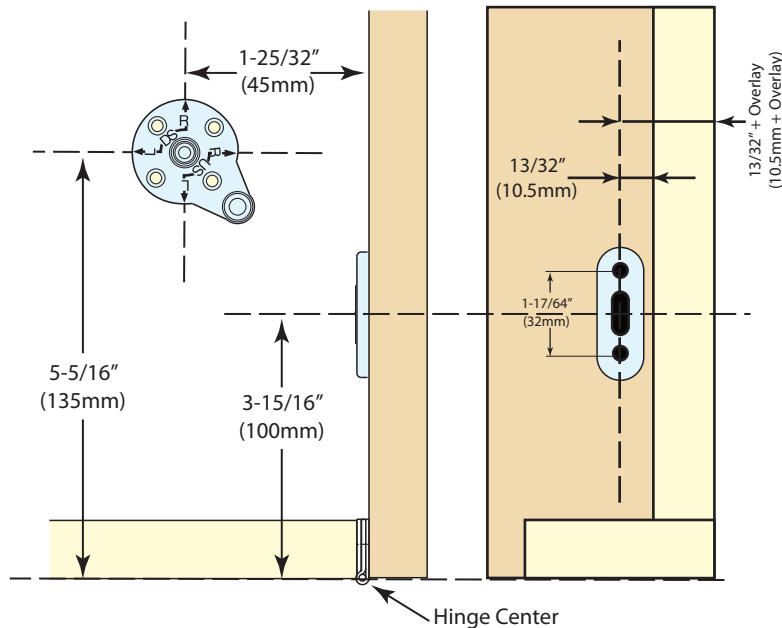
If the lid stay is sagging (A), turn the adjustment screw(Z) at the base of the arm until the lid stay straightens (B). The lid can then be opened by pushing down gently on the lid. When the lid is opening, do not put additional pressure on the lid (to open more quickly, etc.) as it may damage the stay. If you have difficulty with operation or adjustment of the lid stay, please contact Sugatsune for technical assistance.



## Door Weight Range per pair

Door Height (inch)	Door Weight(lbs)	
	Min	Max
8	15.0	21.5
9	13.3	19.1
10	12.2	17.2
11	10.9	15.6
12	10.0	14.3
13	9.2	13.2
14	8.6	12.3
15	8.0	11.5
16	7.5	10.8
17	7.1	10.1
18	6.7	9.6
19	6.3	9.1
20	6.0	8.6
21	5.7	8.2
22	5.5	7.8
23	5.2	7.5
24	5.0	7.2
25	4.8	6.9
26	4.6	6.6

## Single Knuckle Hinge Installation



## Drop Hinge Installation

