

SOFT-DOWN STAY



SDS-C100

LID SUPPORTS

SOFT-DOWN STAYS



- For DOWNWARD-OPENING FLAP DOOR with concealed, piano, butt or drop hinges.
- SDS-C100 (with catch) is designed to hold door in closed position.
- Non-handed: Can be installed on left or right side.
- Torque Calculation:
 - Torque = Door Height x 1/2 x Door Weight
 - Per Piece : 35~50 kg·cm (30~43 lbs·inch)
 - Per Pair : 70~100 kg·cm (60~86 lbs·inch)
- Recommended Door Thickness : 20 mm (25/32")
- Short-arm version SDS-100TV (or C100TV) for smaller door height available. (Please see page 253 for details.)



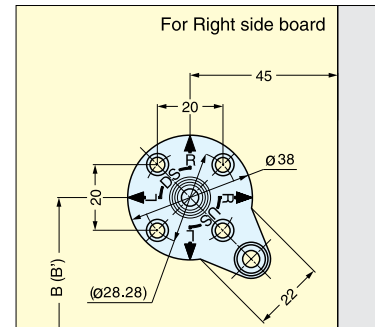
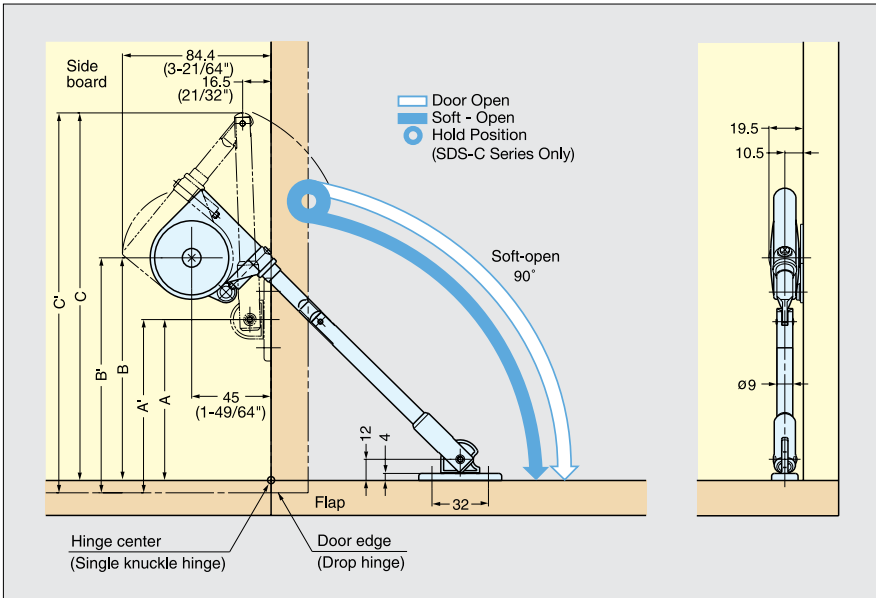
White



Black



Mounting Plate SDS-A



Hinge Type	A	A'	B	B'	C	C'
Single Knuckle Hinge	100 (3-15/16")	-	135 (5-5/16")	-	218 (8-37/64")	-
Drop Hinge	-	107 (4-7/32")	-	142 (5-19/32")	-	225 (8-55/64")

Item No.	Color	Weight (g)	Box (pcs)	Carton (pcs)
SDS-C100/WHT	White	167	20	100
SDS-C100/BLK	Black			

Material	Finish/Color
Steel, Zinc Alloy	Nickel
Plastic	Black (BLK)/White (WHT)