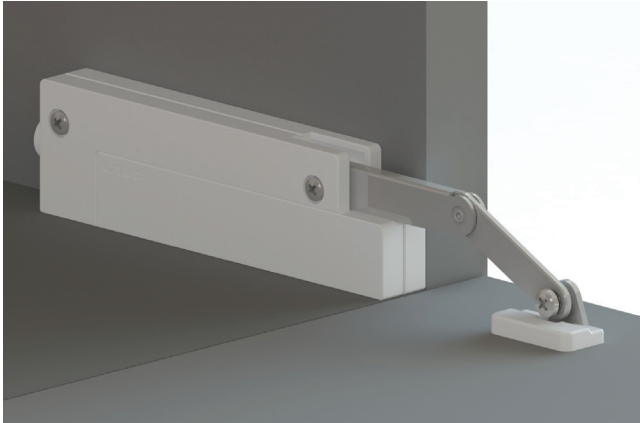


# COMPACT SOFT-DOWN STAY

LID SUPPORTS

COMPACT SOFT-DOWN STAYS

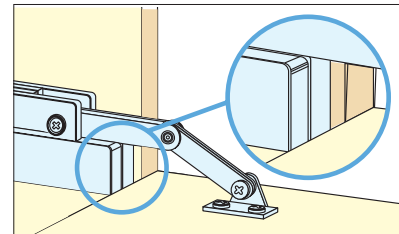
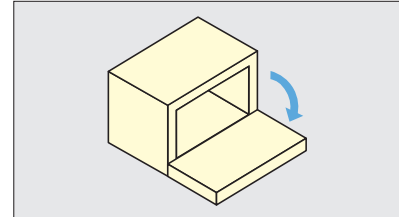


- Soft-down stay for (DOWNWARD-OPENING FLAP DOORS) used with piano, butt, or drop hinge (SDH-001, SDH-P, P.238).
- Easy to install by aligning the body to the edge of a cabinet.
- Designed for smaller cabinet doors in media centers or TV consoles.
- Opening speed adjustable. The adjustment screw located on back for clean appearance.
- Easy to close.
- Holds lid in closed position.
- Torque Calculation:  
 $Torque = Door\ Height \times 1/2 \times Door\ Weight$   
 L-Type (Light Duty): 10.2~20.4 kg·cm (8.8~17.7 lbs·in)  
 M-Type (Medium Duty): 20.4~30.6 kg·cm (17.7~26.6 lbs·in)  
 H-Type (Heavy Duty): 30.6~40.8 kg·cm (26.6~35.4 lbs·in)

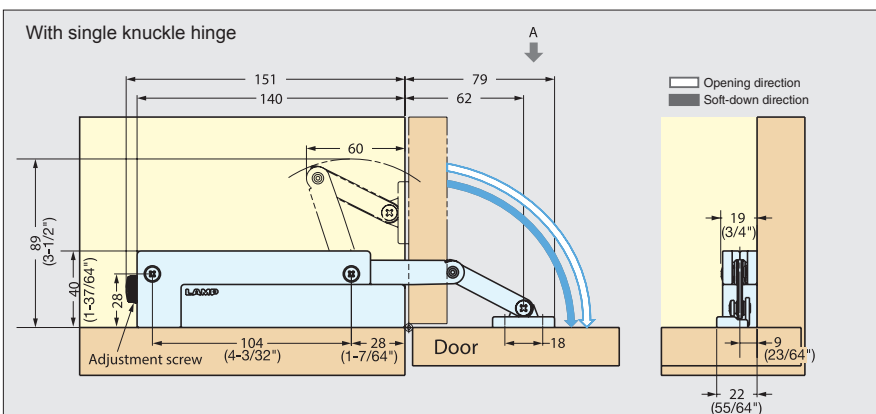
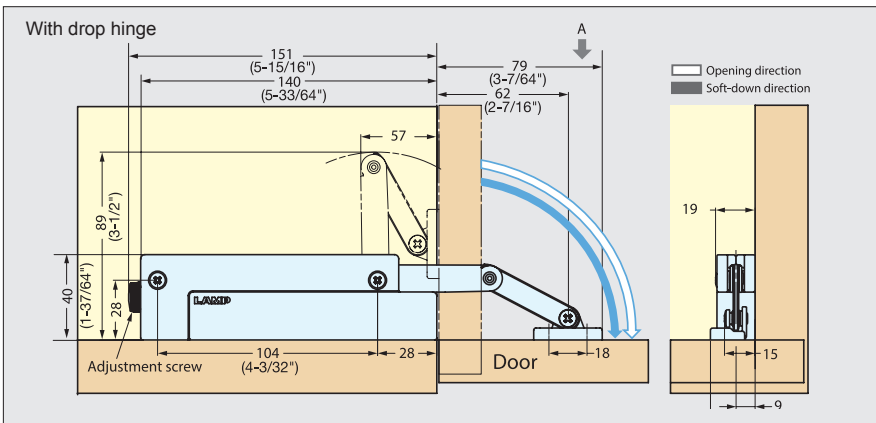


Black

White

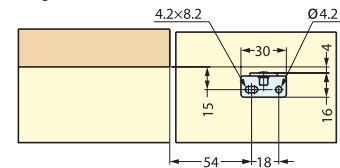


### Installation

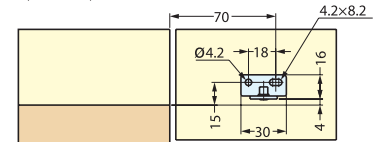


### Installation of Mounting Plate

A-view (Right hand)



A-view (Left hand)



Item No.	Type	Torque (kg·cm)	Weight (g)	Box (pcs)	Carton (pcs)
CSD-10-TV-L-WT	Light Duty	10.2~20.4 (8.8~17.7 lbs·in)	125	10	100
CSD-10-TV-L-BL					
CSD-10-TV-M-WT	Medium Duty	20.4~30.6 (17.7~26.6 lbs·in)	130		
CSD-10-TV-M-BL					
CSD-10-TV-H-WT	Heavy Duty	30.6~40.8 (26.6~35.4 lbs·in)	130		
CSD-10-TV-H-BL					

Material	Finish/Color
Steel	Nickel
Plastic	White/Black