

SHORT ARM SOFT-DOWN STAY NSDX-10 (R/L) K-TV



Opening Direction	Description	Non-handed	Maximum Door Moment
Downward-opening	With Catch	-	0.98~1.96 N · m/pc (10~20 kgf · cm/pc)

- For downward-opening doors.
- Designed to hold the door in fully closed position.
- Opening speed can be adjusted with adjustment screw.

[Specifications]

- Operating temperature: 0°C~40°C

[Remarks]

- Be sure to read the "Cautions" **1**.
- Handed: Specific left and right-handed.
- Door opening speed varies depending on product and conditions.
- When placing objects or working on the surface of opened door, install a brace or reinforcement material to support the door in addition to the stay.

[Parts Included]

- Mounting plate NSDX-SZ
- Binding head tapping screw 3.5×15

[Sold Separately]

- Mounting plate **2**
- SDS face plate and spacer for glass door **2**

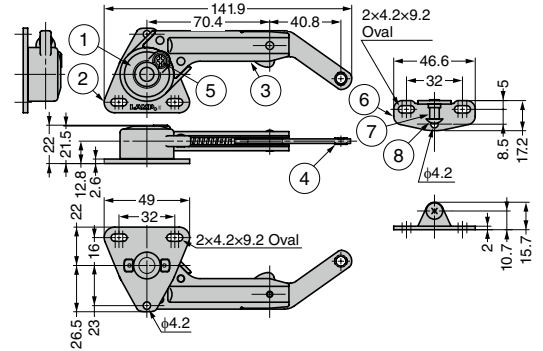
[Maximum Door Moment]

- With 1 stay
Maximum door moment = 0.98 N~1.96 N · m
- With 2 stays, the maximum door moment will be doubled.
Maximum door moment (N · m) = Door weight (kg) × 9.80665 × Distance from rotation centre to door centre of gravity (m)

Video Link



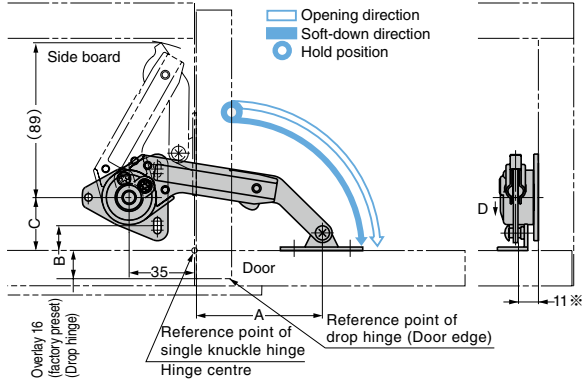
Selection Tool
Sasuga-kun
 Applicable Products
 Used for Product Selection & Simulation.
 Available on Web!



No.	Part Name	Material	Finish/Colour
1	Body	Zinc Alloy (ZDC)	Nickel
2	Mounting plate	Steel (SPCC)	
3	Arm		POM
4	Sleeve	Black	
5	Adjustment Screw		Steel (SWCH)
6	Arm Mounting Plate	Steel (SPCC)	Nickel
7	Shaft	Steel (SWCH)	
8	Truss Head Screw (M4×5)		

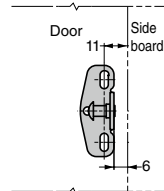
[Installation] Right side installation for downward-opening 90°. Left side installation is symmetrical.

Comes down slowly and softly in opening direction. Installation with piano/butt hinge or drop hinge shown below.



[Installation for Mounting Plate]

D-view (refer to "Installation")



Hinge Type	A	B	C
Drop Hinge (SDH-001)	74※2	14	30
Drop Hinge (SDH-P)	75※3	12	28
Piano/Butt Hinge	71	27	43

Installation dimensions vary depending on hinge type.

- ※1 : 11.8 for optional mounting plate.
- ※2 : In case of overlay 16 mm (factory preset).
For drop hinge, use our 3-way adjustable type SDH-001 **3**.
- ※3 : In case of overlay 19mm (factory preset). Use SDH-P **4**.
- Reference point for each dimension: hinge centre for single knuckle hinge, while door edge for drop hinge.

[Body]

RoHS	CAD	Item Code	Item Name	Type	Material	Finish	Maximum Door Moment N · m/pc	Maximum Door Moment kgf · cm/pc	Weight (g)	Box (pcs)	Carton (pcs)
		180-016-425	NSDX-10RK-TV	Right-handed	Zinc Alloy (ZDC)/	Nickel	0.98~1.96	10~20	143	20	80
		180-016-424	NSDX-10LK-TV	Left-handed	Steel					20	80

[Mounting Plate] Sold Separately **2**

RoHS	CAD	Item Code	Item Name	Type	Weight (g)	Box (pcs)	Carton (pcs)
		180-109-460	NSDX-CZ	Clip on	13	160	640
		180-109-019	NSDX-AZ	Clip on for 20 mm width Aluminium Frame	11	320	1280
		180-109-459	NSDX-GZ	Clip on for Glass Door	14	160	640

[SDS Face Plate and Spacer for Glass Door] Sold Separately **2**

(Please use with mounting plate NSDX-GZ.)

RoHS	CAD	Item Code	Item Name	Material	Finish/Colour	Weight (g)	Box (pcs)	Carton (pcs)
		180-100-260	SDS-50G-CR	Zinc Alloy (ZDC)/	Chrome/Black	25	50	200
		180-928-046	SDS-50G-BL	ABS	Black Enamel Finish/Black			

Refer to **1** : P.207, **2** : P.267, **3** : P.178, **4** : P.177