
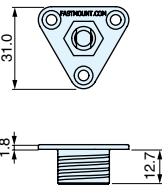
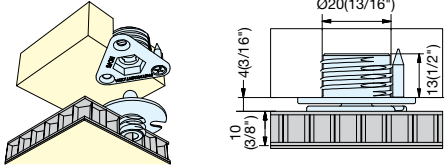

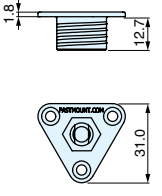
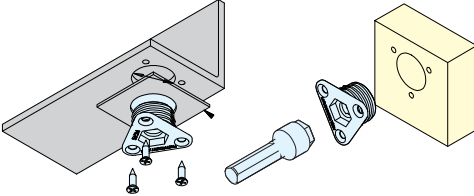



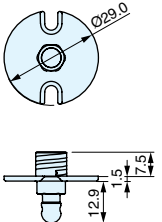
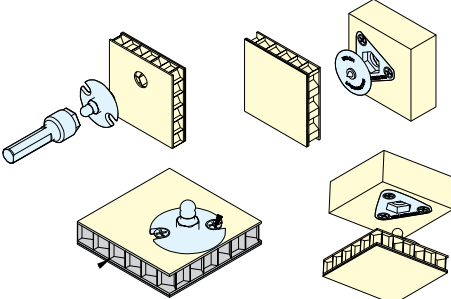
METAL RANGE CLIP SERIES



For applications with heavy panels or heat resistance requirements. These metal based clips are specifically designed to withstand high temperatures and to provide acoustic and vibration isolation. The self-centering design allows for tolerance and panel flexing as well as the ability to be heavy load bearing.

FASTMOUNT® - METAL RANGE PANEL MOUNTING SYSTEM

Female Clips			
Item No.	Dimensions	Diagram	Description
MC-F5 			11LB (5KG) MAXI METAL SELF TAPPING Affix with #5 countersunk screws. Material: Zinc Alloy Box: 10 Carton: 100 Installation tool: MC-IT5 (Sold separately)
MC-F10 			22LB (10KG) MAXI METAL SELF TAPPING Affix with #5 countersunk screws. Material: Zinc Alloy Box: 10 Carton: 100 Installation tool: MC-IT5 (Sold separately)

Male Clips			
Item No.	Dimensions	Diagram	Description
MC-M5 			SELF TAPPING Affix with screws. Pull Out Force: 11 lbs (5 kg) using with MC-F5 22 lbs (10 kg) using with MC-F10 Material: Zinc Alloy Box: 10 Carton: 100 Installation tool: MC-IT5 (Sold separately) Fits into: MC-F5, MC-F10 Mounts into: 3/8" (10 mm) hole

Accessories



MC-CP5 METAL CLIP CENTER POINT

Center point fits MC-F5 metal clip. Use to mark hole center in panel, for correct clip alignment. Has stainless steel tip for marking panel.

Installation Tools: Metal Clip Series



CT-09 PANEL DRILL 10MM FORSTNER TYPE

Use with Standard Profile, Low Profile and Maxi Metal Range. To drill blind holes in the back of panels.



MC-IT5 METAL CLIPS MC-F5 & MC-M5

For installation of self tapping male MC-M5H, can also be used for MC-F5 into plywood or similar. Use battery drill with correct torque setting.



CT-05 PANEL REMOVAL TOOL

Stainless steel tool for removing covered (upholstered) panels. Do not use with painted panels.

